

BALDOR® • RELIANCE 

Product Information Packet

CDPT3605

5HP,1750RPM,DC,1810ATC,3681P,TEFC,F1

Part Detail							
Revision:	AH	Status:	PRD/A	Change #:		Proprietary:	No
Type:	DC	Prod. Type:	3681P	Elec. Spec:	36WGZ509	CD Diagram:	CD0194
Enclosure:	TEFC	Mfg Plant:		Mech. Spec:	36P129	Layout:	36LYP129
Frame:	1810ATC	Mounting:	F1	Poles:	00	Created Date:	
Base:	RG	Rotation:	R	Insulation:	F	Eff. Date:	11-05-2018
Field Type:		Literature:		Elec. Diagram:		Replaced By:	

Specs			
Enclosure:	TEFC		
Frame:	1810ATC		
Frame Material:	Steel		
XP Class and Group:	None		
Agency Approvals:	CE		
	CSA		
	UR		
	WEEE		
Base Indicator:	Rigid		
Bearing Grease Type:	Polyrex EM (-20F +300F)		
Drip Cover:	No Drip Cover		
Duty Rating:	CONT		
Feedback Device:	TACHOMETER		
Heater Indicator:	No Heater		
Insulation Class:	F		
Lifting Lugs:	Standard Lifting Lugs		

Motor Lead Quantity/Wire Size:	2 @ 12 AWG, A		
Motor Lead Exit:	Ko Box		
Motor Lead Termination:	Flying Leads		
Mounting Arrangement:	F1		
Product Family:	General Purpose		
Pulley End Bearing Type:	Sealed Bearing		
Shaft Extension Location:	Pulley End		
Shaft Ground Indicator:	No Shaft Grounding		
Shaft Rotation:	Reversible		
Shaft Slinger Indicator:	No Slinger		
Motor Standards:	NEMA		
XP Division:	Not Applicable		

Nameplate NP0891L			
CAT.NO.	CDPT3605		
SPEC.	36P129Z509		
HP	5	ENCL	TEFC
RPM	1750		
FRAME	1810ATC	TYPE	3681P
ARM V	180	ARM A	24.5
FLD V		FLD A	
INSUL	F	AMB.	40
DUTY	CONT	SUPPLY	K
BRG/DE	6206	BRG/ODE	6206
BRUSHES	2/BP5027A01		
SER.		BLANK	IP44
BLANK			
APRV-CE	<input type="checkbox"/> Y	APRV-CSA	<input type="checkbox"/> Y
		APRV-UL	<input type="checkbox"/> Y

Parts List		
Part Number	Description	Quantity
SA043653	SA 36P129Z509	1.000 EA
AA005128	AA 36P129Z509	1.000 EA
BP5027A01SP	BRUSH ASSY, GRADE E45 180 VOLTS	1.000 EA
BP5028	BRUSH SPRING FOR 36DC/PM MOTORS	2.000 EA
HW3201A05	3/8-16 EYEBOLT	1.000 EA
19XM3118A08	5/16-18X1/2 HX HD ROLL FM#93882A578 MCMA	8.000 EA
36CB3000SP	CONDUIT BOX, CAST	1.000 EA
36GS1000SP	GASKET-CONDUIT BOX, .06 THICK #SV-330 LE	1.000 EA
51XB1016A07	10-16 X 7/16 HXWSSLD SERTYB	2.000 EA
11XW1032G06	10-32 X .38, TAPTITE II, HEX WSHR SLTD U	1.000 EA
HW3001B02	BRASS CUP WASHER W/GROUND SYMBOL TAB,	1.000 EA
36EP3402A05	SPL FR. E.P. TEFC 36PM FOR TACH ADATER M	1.000 EA
26XW1032A08	10-32 X 1/2 PHILLIPS HEAD TAPTITE-II (SI	4.000 EA
HA6343A01	TG-300 TACH. ADAPTER MACH'D FOR 36 FRAME	1.000 EA
84XN3816J12	3/8-16X 3/4 SOCK HD, BK OX	4.000 EA
HW1001A38	LOCKWASHER 3/8, ZINC PLT .688 OD, .382 I	4.000 EA
18XN0632A16	FLAT HEAD SCREW	2.000 EA
14XN0440A08	4-40X.500 ROUND HEAD SLOTTED SCREW	2.000 EA
36CB4508	COVER 36 TACH ADAPTER	1.000 EA
36GS5003	GASKET-COVER 36 TACH ADAPTER	1.000 EA
51XW0832A07	8-32 X .44, TAPTITE II, HEX WSHR SLTD SE	1.000 EA
HA6346A02	SHAFT ADAPTER,MD 36,TG200&TG300 TACH,A=2	1.000 EA
HW1005W01	IOCKWASHER, 201 BEARING MO	1.000 EA
WD4100A26	HEYCO UNIVERSAL BUSHING P/N 2089, MTG HO	1.000 EA

Parts List (continued)		
Part Number	Description	Quantity
HW5100A06	W2420-025 WVY WSHR (WB)	1.000 EA
36EP3302A01	STD PU ENDPLATE #206 BRG 182TC-184TC 36P	1.000 EA
10XN2520A28	1/4-20X 1 3/4 HEX HD	4.000 EA
HW1001A25	LOCKWASHER 1/4, ZINC PLT .493 OD, .255 I	4.000 EA
36FN3000A01SP	EXFN, PLASTIC, 7.00 OD, .912 ID	1.000 EA
51XB1214A16	12-14X1.00 HXWSSLD SERTYB	1.000 EA
36FH4009A47	IEC FH NO GREASER, W/ PRIMER	1.000 EA
51XW1032A06	10-32 X .38, TAPTITE II, HEX WSHR SLTD S	3.000 EA
35CB4514	35 LIPPED CB LID	1.000 EA
36GS1001A08	GASKET - CONDUIT BOX LID 36 FRAME	1.000 EA
51XW0832A07	8-32 X .44, TAPTITE II, HEX WSHR SLTD SE	4.000 EA
36CB4500SP	CONDUIT BOX LID, STAMPED	2.000 EA
36GS1001A08	GASKET - CONDUIT BOX LID 36 FRAME	2.000 EA
51XW0832A07	8-32 X .44, TAPTITE II, HEX WSHR SLTD SE	8.000 EA
HA7000A02	KEY RETAINER RING, 1 1/8 DIA, 1 3/8 DIA	1.000 EA
85XU0407S04	4X1/4 U DRIVE PIN STAINLESS	2.000 EA
LB1115N	LABEL,LIFTING DEVICE (ON ROLLS)	1.000 EA
LC0194	CONNECTION LABEL	1.000 EA
HW1001A25	LOCKWASHER 1/4, ZINC PLT .493 OD, .255 I	4.000 EA
X3B003Z029	TACH TG-300 50V .625BORE W/NOTCH CW	1.000 EA
HW2501E16	KEY, 1/4 SQ X 1.750	1.000 EA
MG1000G27	MED CHARCOAL METALLIC GREY 400-0096	0.019 GA
NP0891L	NP STD LASER ENGRAVED DC MTRS, UL CSA CE	1.000 EA
MN416A01	TAG-INSTAL-MAINT no wire (1200/bx) 5/18	1.000 EA

Product Information Packet: CDPT3605 - 5HP,1750RPM,DC,1810ATC,3681P,TEFC,F1

MG5010A01	TRICKLE VARNISH (PEDIGREE 600 S)	0.005 GA
MG5010Z01	488 (TPB) CATALYST	0.001 LB
36RK5008A01	ROCKERARM ASSY-GRADE E45	1.000 EA
HA3101A48	THRUBOLT- 1/4-20 X 16.75	4.000 EA
LB1119N	WARNING LABEL	1.000 EA
37PA1039	PALLET PACK GROUP, BLANK PK1148	1.000 EA

DC Motor Performance Data

Record # 312 - Typical performance - not guaranteed values

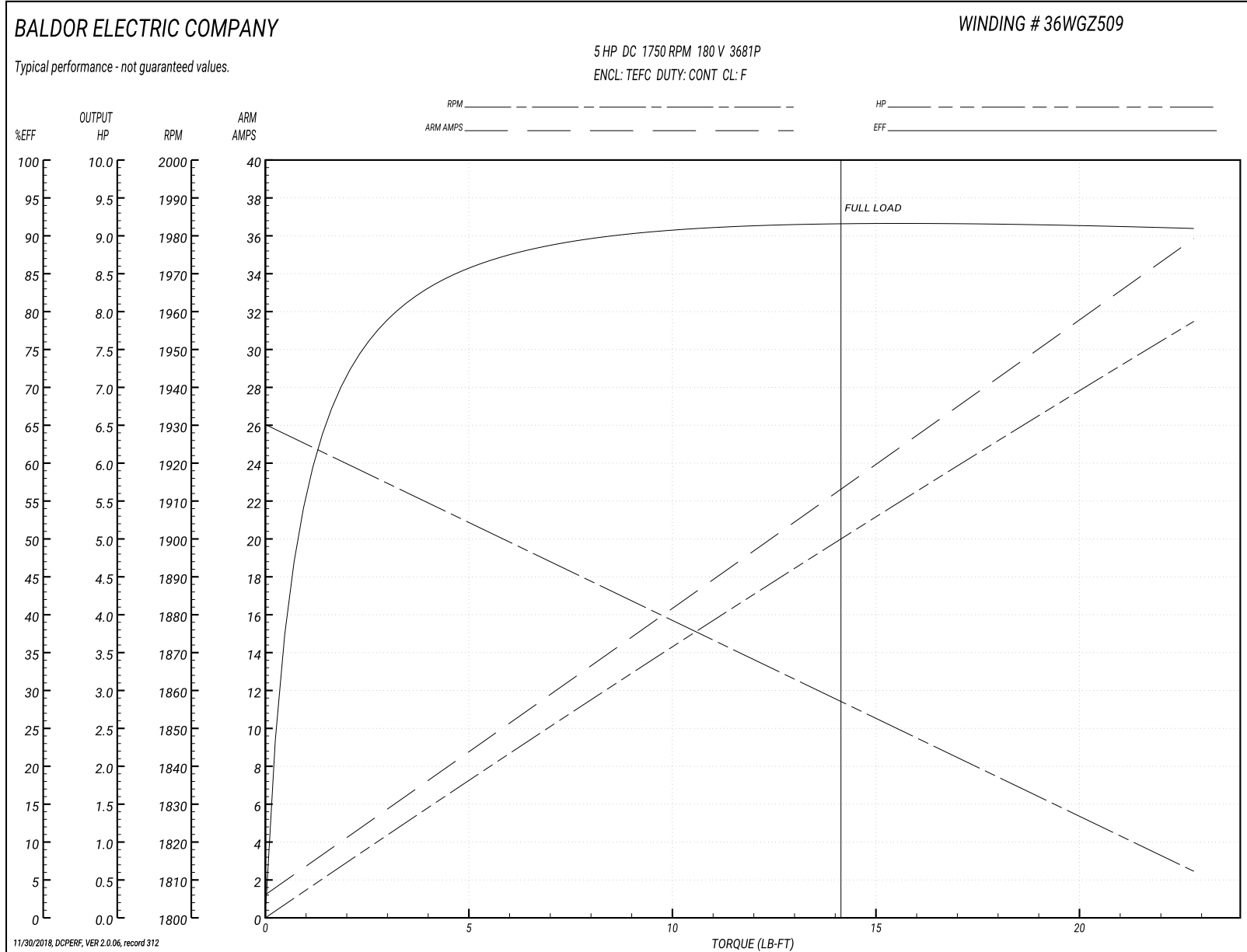
Winding: 36WGZ509-R001	Type: 3681P	Enclosure: TEFC
-------------------------------	--------------------	------------------------

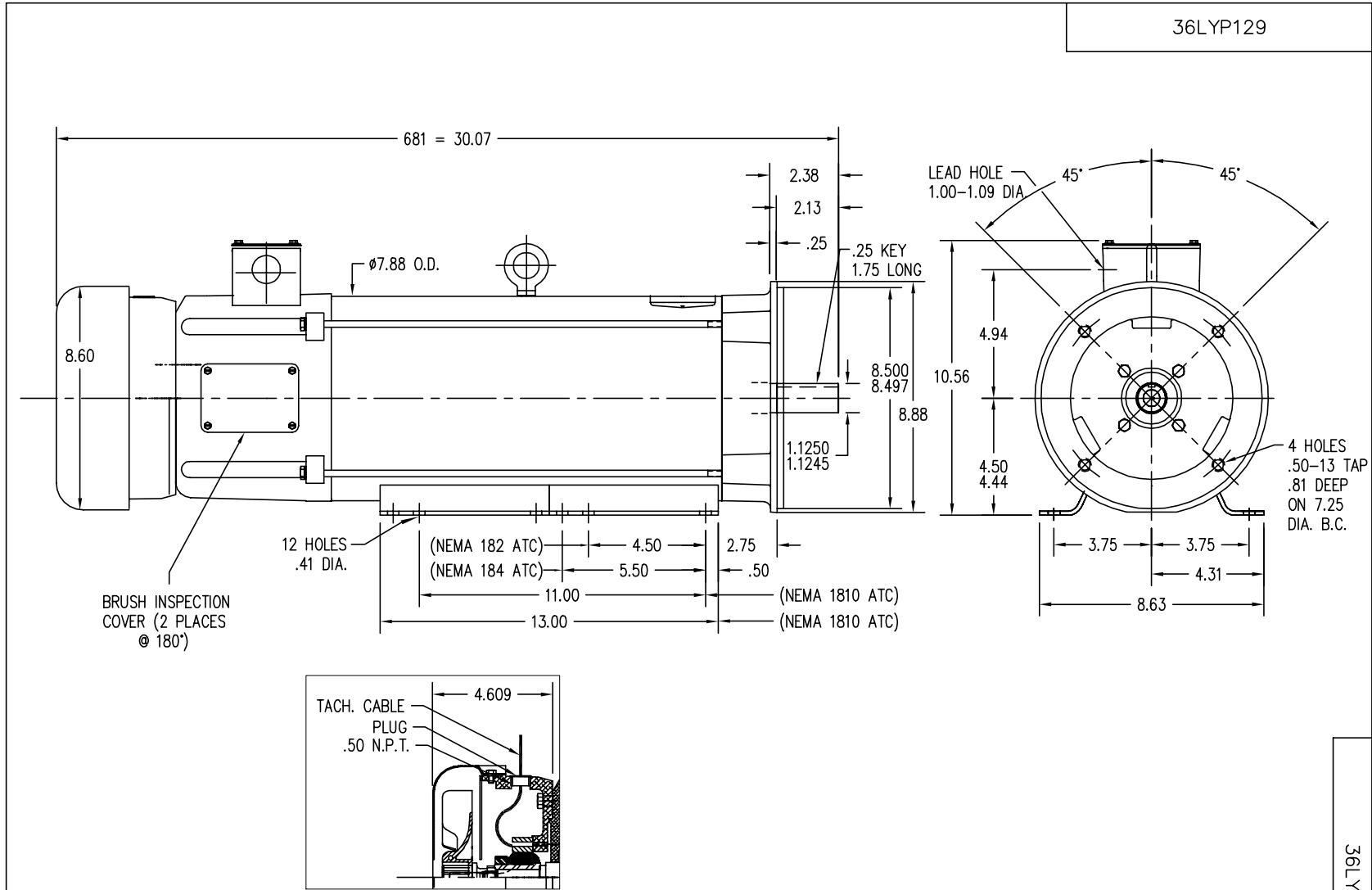
Nameplate Data		General Characteristics	
Rated Output (HP)	5	Armature Resistance @ 25°C	0.16 Ω
R.P.M.	1750		
Armature Volts	180	Voltage Constant	91.78 v/krpm
Armature Amps	24.5		
Field Volts		Armature Inductance	3.677 mH
Field Amps		Armature Inertia	177.0597 LI ²
Rating - Duty	40C AMB-CONT		
Power Supply Code	K		

Load Characteristics at 180 Armature Volts

Load Point	1	2	3	4	5	6	7
Armature Amps	1.1	7.1	12.8	18.4	24.1	29.9	35.99
R.P.M.	1931	1915	1886	1870	1850	1832	1815
Torque (LB-FT)	0	3.8	7.57	11.39	15.18	19	22.81

Performance Graph at 180.0 Arm V, 5.0HP Typical performance - Not guaranteed values





CUSTOMER IS RESPONSIBLE FOR DETERMINING THAT BALDOR'S PRODUCT WILL PERFORM SUITABLY IN THE INTENDED APPLICATION.

REV. DESC: UPDATE THE BASES LOCATION WITH DIM OF 2.75		
REV. LTR: K	VERSION: 02	TDR: 00000935293
FILE: \AAA\00059\295	REVISED: 11:17:13 07/20/2015	BY: ENVIENO
MTL: REF: 36P134		

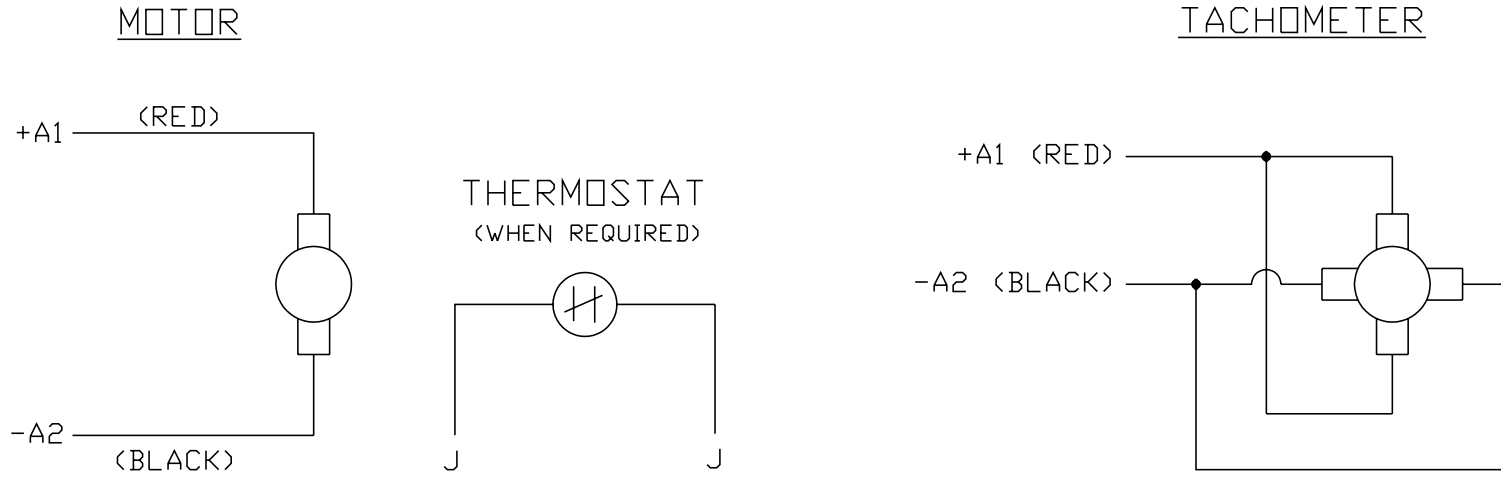
BALDOR

HORZ"ATC"TEFC 3681PM 182-4ATC & 1810 ATC W/TG-300

SH 1 of 1

36LYP129

CD0194



NOTES:

1. CCW ROTATION AS SHOWN FACING COMMUTATOR END. TO REVERSE MOTOR ROTATION OR TACHOMETER OUTPUT POLARITY INTERCHANGE LEADS A1(RED) & A2(BLACK)
2. LEAD COLORS FOR REFERENCE ONLY & NOT SPECIFIED BY THIS DRAWING. LEAD COLORS SPECIFIED BY LAYOUT DRAWING & BILL OF MATERIAL ONLY.

MATL: -			
REV: E	ADDED NOTE "LEAD COLORS FOR REFERENCE ONLY &..."		
761000	SCALE: -	BY: CK	REVISED: 07/28/95
	FILE: AAA00004503		TDR: 0078737

BALDOR ELECTRIC Co.

CD TYPE P DC PERMANENT MAGNET MOTORS AND TACHOMETERS

CD0194