

**BALDOR® • RELIANCE** 

**Product Information Packet**

**CDPWD3605**

**5HP,1750RPM,DC,1810ATC,3681P,TEFC,F1**

Part Detail							
Revision:	AP	Status:	PRD/A	Change #:		Proprietary:	No
Type:	DC	Prod. Type:	3681P	Elec. Spec:	36WGZ509	CD Diagram:	CD0194
Enclosure:	TEFC	Mfg Plant:		Mech. Spec:	36P128	Layout:	36LYP128
Frame:	182ATC	Mounting:	F1	Poles:	00	Created Date:	
Base:	RG	Rotation:	R	Insulation:	F	Eff. Date:	09-17-2018
Field Type:		Literature:		Elec. Diagram:		Replaced By:	

Specs			
Enclosure:	TEFC		
Frame:	1810ATC		
Frame Material:	Steel		
XP Class and Group:	None		
Agency Approvals:	CE		
	CSA		
	UR		
	WEEE		
Base Indicator:	Rigid		
Bearing Grease Type:	Polyrex EM (-20F +300F)		
Drip Cover:	No Drip Cover		
Duty Rating:	CONT		
Feedback Device:	NO FEEDBACK		
Heater Indicator:	No Heater		
Insulation Class:	F		
Lifting Lugs:	Standard Lifting Lugs		

<b>Motor Lead Quantity/Wire Size:</b>	2 @ 12 AWG, A		
<b>Motor Lead Exit:</b>	Ko Box		
<b>Motor Lead Termination:</b>	Flying Leads		
<b>Mounting Arrangement:</b>	F1		
<b>Product Family:</b>	Wash Down		
<b>Pulley End Bearing Type:</b>	Sealed Bearing		
<b>Shaft Extension Location:</b>	Pulley End		
<b>Shaft Ground Indicator:</b>	No Shaft Grounding		
<b>Shaft Rotation:</b>	Reversible		
<b>Shaft Slinger Indicator:</b>	Shaft Slinger		
<b>Motor Standards:</b>	NEMA		
<b>XP Division:</b>	Not Applicable		

Nameplate NP1509			
CAT.NO.	CDPWD3605		
SPEC.	36P128Z509		
HP	5	ENCL	TEFC
RPM	1750		
FRAME	1810ATC	TYPE	3681P
ARM V	180	ARM A	24.5
FLD V		FLD A	
INSUL	F	AMB.	40
DUTY	CONT	SUPPLY	K
BRG/DE	6206	BRG/ODE	6206
BRUSHES	2/BP5027A01		
		BLANK	
SER.			
BLANK			
APRV-CSA	<input type="checkbox"/>	APRV-UL	<input type="checkbox"/>
		APRV-CE	<input type="checkbox"/>

Parts List		
Part Number	Description	Quantity
SA043652	SA 36P128Z509	1.000 EA
AA005127	AA 36P128Z509	1.000 EA
BP5027A01SP	BRUSH ASSY, GRADE E45 180 VOLTS	1.000 EA
BP5028	BRUSH SPRING FOR 36DC/PM MOTORS	2.000 EA
HW3201A05	3/8-16 EYEBOLT	1.000 EA
XY2520A11	254-20 SQUARE NUT	2.000 EA
19XM3118A08	5/16-18X1/2 HX HD ROLL FM#93882A578 MCMA	8.000 EA
36CB3000A39W	CONDUIT BOX MACH'G .50 N.P.T.	1.000 EA
36GS1000A01	GASKET - CONDUIT BOX 35 & 36 PM FRAME	1.000 EA
51XB1016A07	10-16 X 7/16 HXWSSLD SERTYB	2.000 EA
WD4100A05	DP-1093 HEYCO PLUG OR 62MP1093 MICOR PL	1.000 EA
35CB4514WP	CB LID LIPPED, WHITE PRIMER POWDER COAT	1.000 EA
11XW1032G06	10-32 X .38, TAPTITE II, HEX WSHR SLTD U	1.000 EA
HW3001B01	BRASS CUP WASHER, FOR #10 SCREW	1.000 EA
36EP3402A04WP	FREP, MACH, WHITE PRIMER POWDER COAT	1.000 EA
HW4032A01	BLACK DRAIN PLUG FOR WASH DOWN MOTORS	3.000 EA
26XW1032A08	10-32 X 1/2 PHILLIPS HEAD TAPTITE-II (SI	4.000 EA
HW4600B50	SEAL 1.156 X 1.874 X 0.250 SINGLE LIP DB	1.000 EA
HW4600B36SP	V-RING SLINGER 1.188 X 1.690 X .24 VITON	2.000 EA
HW5100A06	W2420-025 WVY WSHR (WB)	1.000 EA
HW5010U49	RET. RING 5100-143 TRU ARC	1.000 EA
36EP3302A02WP	PUEP, MACH, WHITE PRIMER POWDER COAT	1.000 EA
HW4032A01	BLACK DRAIN PLUG FOR WASH DOWN MOTORS	3.000 EA
10XN2520S28	1/4-20X 1 3/4 HEX HD SS X	4.000 EA

Parts List (continued)		
Part Number	Description	Quantity
HW4600B50	SEAL 1.156 X 1.874 X 0.250 SINGLE LIP DB	1.000 EA
36FN3000A01SP	EXFN, PLASTIC, 7.00 OD, .912 ID	1.000 EA
51XB1214A16	12-14X1.00 HXWSSLD SERTYB	1.000 EA
36FH5000A11W	36FH5000A11 W/WHT EPOXY	1.000 EA
11XW1032S06	10-32 X .38, TAPTITE II, HEX WSHR SLTD U	3.000 EA
WD4100A05	DP-1093 HEYCO PLUG OR 62MP1093 MICOR PL	1.000 EA
36GS1001A05	GASKET - CONDUIT BOX LID 36 FRAME	1.000 EA
59XW0832S07	TAPTITE II,HEX WSHR UNSLTD SER,410 S.S.,	4.000 EA
36CB4500WSP	CONDUIT BOX LID, STAMPED W/WHITE EPOXY	2.000 EA
36GS1001A08	GASKET - CONDUIT BOX LID 36 FRAME	2.000 EA
59XW0832S07	TAPTITE II,HEX WSHR UNSLTD SER,410 S.S.,	8.000 EA
HW2502E16	#303 SS,SQ KEY 1/4 X 1.750	1.000 EA
HA7000A02	KEY RETAINER RING, 1 1/8 DIA, 1 3/8 DIA	1.000 EA
MJ5001A27	32220KN GRAY SEALER *MIN BUY 4 QTS=1GAL	0.005 QT
LB1115N	LABEL,LIFTING DEVICE (ON ROLLS)	1.000 EA
LB1164	LABEL,WARNING AND DRAIN	1.000 EA
MG1025W01	WILKOFAS, 781.01, SIGNAL WHITE #9003	0.019 GA
85XU0407S04	4X1/4 U DRIVE PIN STAINLESS	2.000 EA
HA3101S48	THRUBOLT- 1/4-20X16.75 SS	4.000 EA
MN416A01	TAG-INSTAL-MAINT no wire (1200/bx) 5/18	1.000 EA
MG5010A01	TRICKLE VARNISH (PEDIGREE 600 S)	0.005 GA
MG5010Z01	488 (TPB) CATALYST	0.001 LB
36RK5008A01	ROCKERARM ASSY-GRADE E45	1.000 EA
LC0194	CONNECTION LABEL	1.000 EA

Product Information Packet: CDPWD3605 - 5HP,1750RPM,DC,1810ATC,3681P,TEFC,F1

NP1509	DC, WD, UL CE CSA, W/O THERMAL	1.000 EA
37PA1039	PALLET PACK GROUP, BLANK PK1148	1.000 EA
LB1594	MYLAR WEEE WHEELIE BIN SYMBOL FOR CE MOT	1.000 EA

**DC Motor Performance Data**

Record # 312 - Typical performance - not guaranteed values

<b>Winding:</b> 36WGZ509-R001	<b>Type:</b> 3681P	<b>Enclosure:</b> TEFC
-------------------------------	--------------------	------------------------

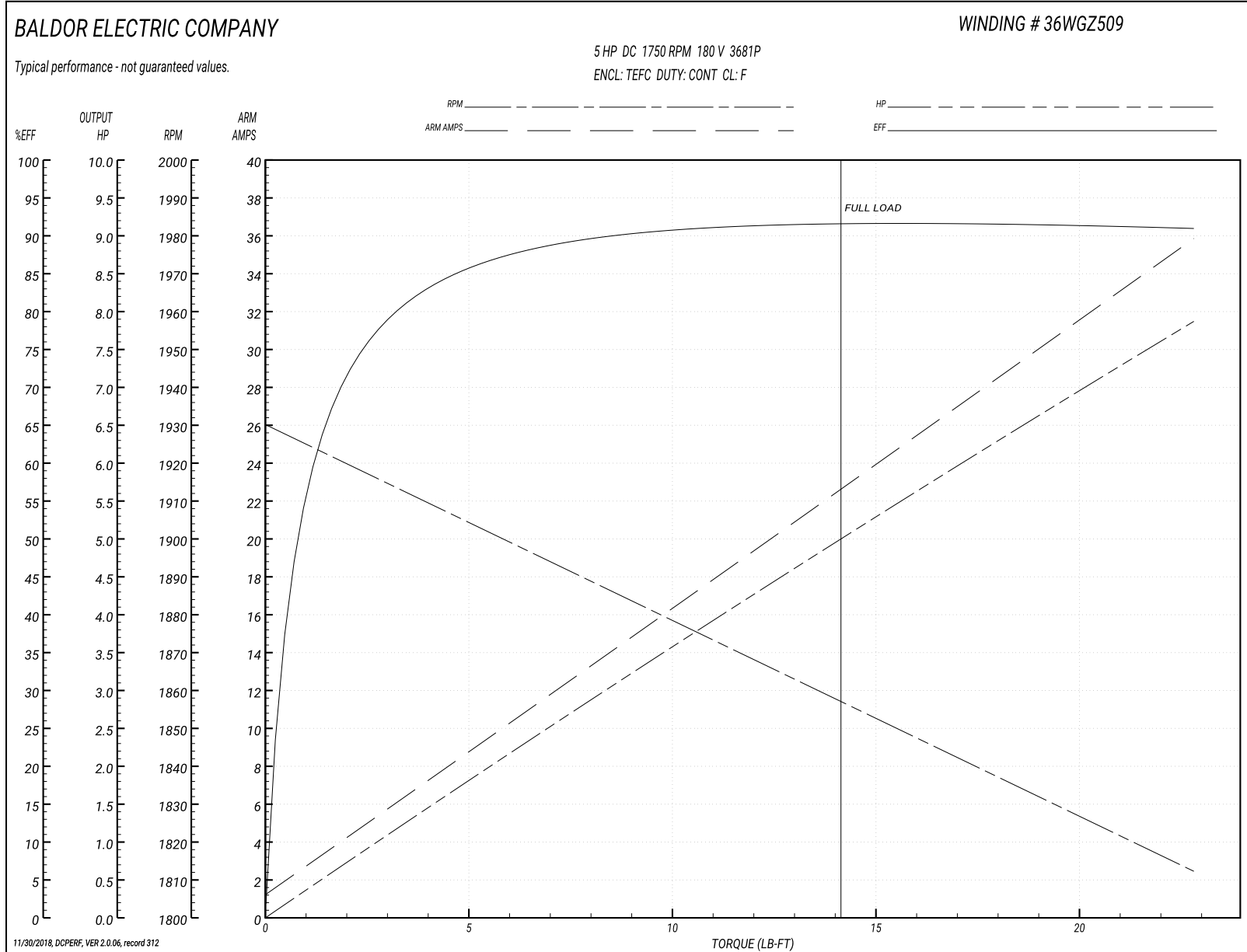
Nameplate Data		General Characteristics	
Rated Output (HP)	5	Armature Resistance @ 25°C	0.16 Ω
R.P.M.	1750		
Armature Volts	180	Voltage Constant	91.78 v/krpm
Armature Amps	24.5		
Field Volts		Armature Inductance	3.677 mH
Field Amps		Armature Inertia	177.0597 LI <sup>2</sup>
Rating - Duty	40C AMB-CONT		
Power Supply Code	K		

Load Characteristics at 180 Armature Volts

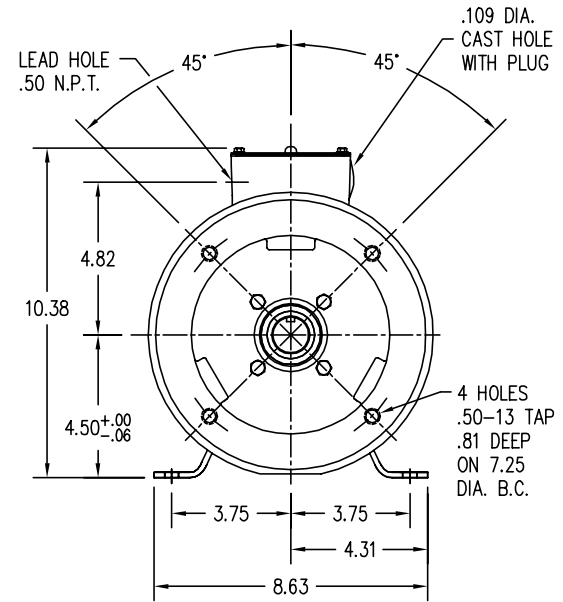
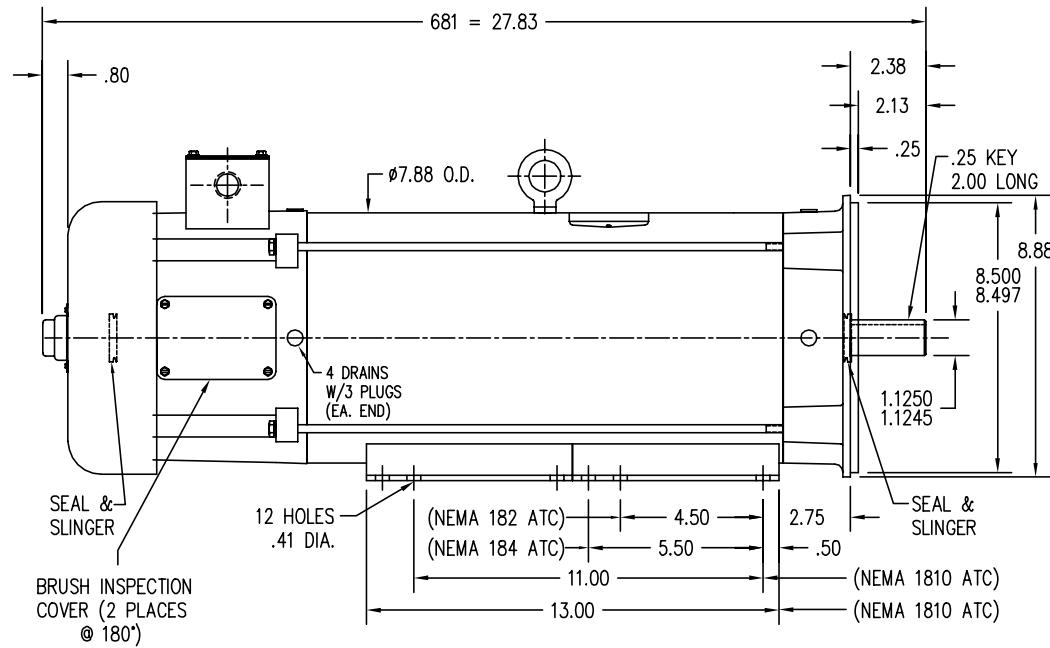
Load Point	1	2	3	4	5	6	7
Armature Amps	1.1	7.1	12.8	18.4	24.1	29.9	35.99
R.P.M.	1931	1915	1886	1870	1850	1832	1815
Torque ( LB-FT )	0	3.8	7.57	11.39	15.18	19	22.81



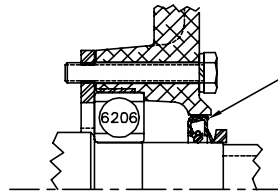
Performance Graph at 180.0 Arm V, 5.0HP Typical performance - Not guaranteed values



36LYP128



PULLEY END  
DETAIL



APPLY COAT OF RED SEALER UNDER RETAINER RING BOLT HEAD & AROUND SEAL HOUSING BEFORE PRESSING IN SEAL.

CUSTOMER IS RESPONSIBLE FOR DETERMINING THAT MOTOR PERFORMANCE IS SUITABLE IN THE APPLICATION.

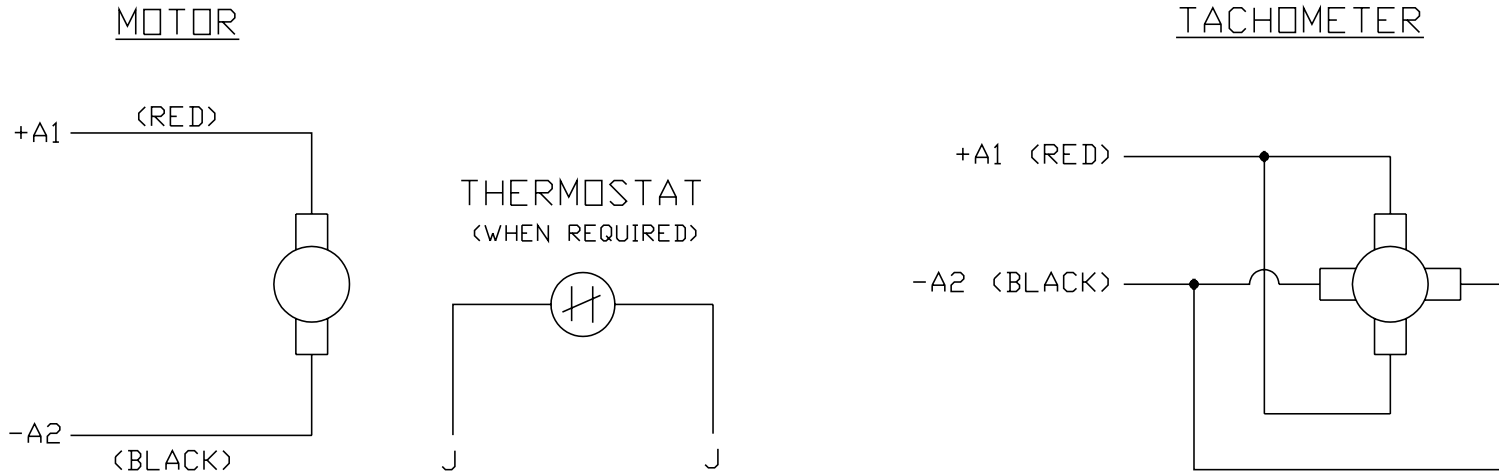
REV. DESC: SHOW CAST HOLE & PLUG IN KOBX, REMOVE DRAIN LABEL			
REV. LTR: H	BY: MAW	REVISED: 10:04:06 01/13/2005	TDR: 353653
8Z1LY128		FILE: AAA00019513	REF: 36LYP128
		MTL: -	

**BALDOR ELECTRIC Co.**

STD HORZ "ATC" TEFC 36PM TYPE 681 PM 182-4ATC,1810ATC,MFTK

36LYP128

CD0194



NOTES:

1. CCW ROTATION AS SHOWN FACING COMMUTATOR END. TO REVERSE MOTOR ROTATION OR TACHOMETER OUTPUT POLARITY INTERCHANGE LEADS A1(RED) & A2(BLACK)
2. LEAD COLORS FOR REFERENCE ONLY & NOT SPECIFIED BY THIS DRAWING. LEAD COLORS SPECIFIED BY LAYOUT DRAWING & BILL OF MATERIAL ONLY.

MATL: -			
REV: E	ADDED NOTE "LEAD COLORS FOR REFERENCE ONLY &..."		
761000	SCALE: -	BY: CK	REVISED: 07/28/95
	FILE: AAA00004503		TDR: 0078737

**BALDOR ELECTRIC Co.**

CD TYPE P DC PERMANENT MAGNET MOTORS AND TACHOMETERS

CD0194