

**BALDOR® • RELIANCE** 

**Product Information Packet**

**CDPX3416**

**.33HP, 1750RPM, DC, 56C, X3420P, XPFC, F1**

Part Detail							
Revision:	V	Status:	PRD/A	Change #:		Proprietary:	No
Type:	DC	Prod. Type:	3420P	Elec. Spec:	34WG3950	CD Diagram:	CD0194
Enclosure:	XPFC	Mfg Plant:		Mech. Spec:	34-6519	Layout:	34LY6519
Frame:	56C	Mounting:	F1	Poles:	00	Created Date:	
Base:	RG	Rotation:	R	Insulation:	F	Eff. Date:	01-20-2017
Field Type:		Literature:		Elec. Diagram:		Replaced By:	

Specs			
Enclosure:	XPFC		
Frame:	56C		
Frame Material:	Steel		
XP Class and Group:	CLI GP D; CLII GP F,G		
Agency Approvals:	CSA		
	UL		
	UR		
Base Indicator:	Rigid		
Bearing Grease Type:	Polyrex EM (-20F +300F)		
Drip Cover:	No Drip Cover		
Duty Rating:	CONT		
Feedback Device:	NO FEEDBACK		
Heater Indicator:	No Heater		
Insulation Class:	F		
Lifting Lugs:	No Lifting Lugs		
Motor Lead Quantity/Wire Size:	2 @ 14 AWG, A		

<b>Motor Lead Exit:</b>	Ko Box		
<b>Motor Lead Termination:</b>	Flying Leads		
<b>Mounting Arrangement:</b>	F1		
<b>Product Family:</b>	General Purpose		
<b>Pulley End Bearing Type:</b>	Sealed Bearing		
<b>Shaft Extension Location:</b>	Pulley End		
<b>Shaft Ground Indicator:</b>	No Shaft Grounding		
<b>Shaft Rotation:</b>	Reversible		
<b>Shaft Slinger Indicator:</b>	No Slinger		
<b>Motor Standards:</b>	NEMA		
<b>XP Division:</b>	Division I		
<b>XP Temp Code:</b>	T3C		

Nameplate NP0727XPSL	
NO.	
SER.	
SPEC.	34-6519-3950G1
CAT.NO.	CDPX3416
HP	.33
RPM	1750
FRAME	56C
ARM V	180
FLD V	
INSUL	F
DUTY	CONT
BRG/DE	6203
BRUSHES	2/BP5011CV01
BLANK	
	T. CODE T3C
	ENCL XPFC
	TYPE 3420P
	ARM A 1.7
	FLD A
	AMB. 40
	SUPPLY 1.5
	BRG/ODE 6203

Parts List		
Part Number	Description	Quantity
SA005409	SA 34-6519-3950G1	1.000 EA
AA003058	AA 34-6519-3950G1	1.000 EA
BP5011CV01SP	CARBON BRUSH - 33P, 180V	1.000 EA
HW3001B01	BRASS CUP WASHER, FOR #10 SCREW	1.000 EA
35CB3001A01SP	EXPL CONDUIT BOX, MACH, 1/2" PIPE TAP LE	1.000 EA
51XW0832A07	8-32 X .44, TAPTITE II, HEX WSHR SLTD SE	4.000 EA
34EP2700A01	SPL FR.E.P. X34DC	1.000 EA
HW4030A01	1-1/2" N.P.T. PIPE PLUG W/SQ.HEAD	2.000 EA
HW3021E06	1/8 DIA X 5/8 ROLLPIN (F/S)	1.000 EA
HW4002A02	1-11.5X2LG PIPE NIPPLE (F/S)	1.000 EA
HW5100A03	WAVY WASHER (W1543-017)	1.000 EA
34EP3705A01SP	PU ENDPLATE, MACH	1.000 EA
34FN3002A01SP	EXTERNAL FAN, PLASTIC, .637/.639 HUB W/	1.000 EA
34FH4002A01SP	IEC FH NO GREASER PRIMED	1.000 EA
51XW1032A06	10-32 X .38, TAPTITE II, HEX WSHR SLTD S	3.000 EA
35CB3500A01SP	CONDUIT BOX LID, MACH	1.000 EA
51XN2520A16	SCREW, HEX WS SLT, ZN, 1/4-20 X 1.00	4.000 EA
HW2501D13	KEY, 3/16 SQ X 1.375	1.000 EA
HA7000A04	KEY RETAINER 0.625 DIA SHAFTS	1.000 EA
NP0018W	ALUM UL XP CONDUIT BOX NAMEPLATE	1.000 EA
HW1025A10	#10 BALANCE WASHER (SPL)	2.000 EA
MG1025G29	WILKOFASST, 789.229, DARK CHARCOAL GRAY	0.014 GA
NP0731	NAMEPLATE, CAUTION FOR DC EXPLOSION PROO	1.000 EA
85XU0407S04	4X1/4 U DRIVE PIN STAINLESS	6.000 EA

<b>Parts List (continued)</b>		
<b>Part Number</b>	<b>Description</b>	<b>Quantity</b>
ML14A1B14	14 AWG,A1,BLACK	8.500 IN
ML14A2B14	14 AWG,A2,BLACK	8.500 IN
34RK5004	ROCKERARM ASSY 34PM W/TP1515A01 T'STAT	1.000 EA
BP5012A04SP	BRUSH SPRING FOR DC MOTORS	1.000 EA
MJ5000A01	SEALANT, CHICO A COMPOUND	0.050 LB
11XW1032G06	10-32 X .38, TAPTITE II, HEX WSHR SLTD U	1.000 EA
HA3104A03	THRUBOLT 5/16-18 X 7.625 W QTE#457	4.000 EA
LB1119N	WARNING LABEL	1.000 EA
LB1161	LABEL,THERMOSTAT (ROLL LABEL)	1.000 EA
MN416A01	TAG-INSTAL-MAINT no wire (1200/bx) 5/18	1.000 EA
LC0194	CONNECTION LABEL	1.000 EA
NP0727XPSL	SS XP DC UL CSA CC CL-I GP-D CL-II GP-F&	1.000 EA
35PA1007	PKG GRP, PRINT PK1034A06	1.000 EA

**DC Motor Performance Data**

Record # 1434 - Typical performance - not guaranteed values

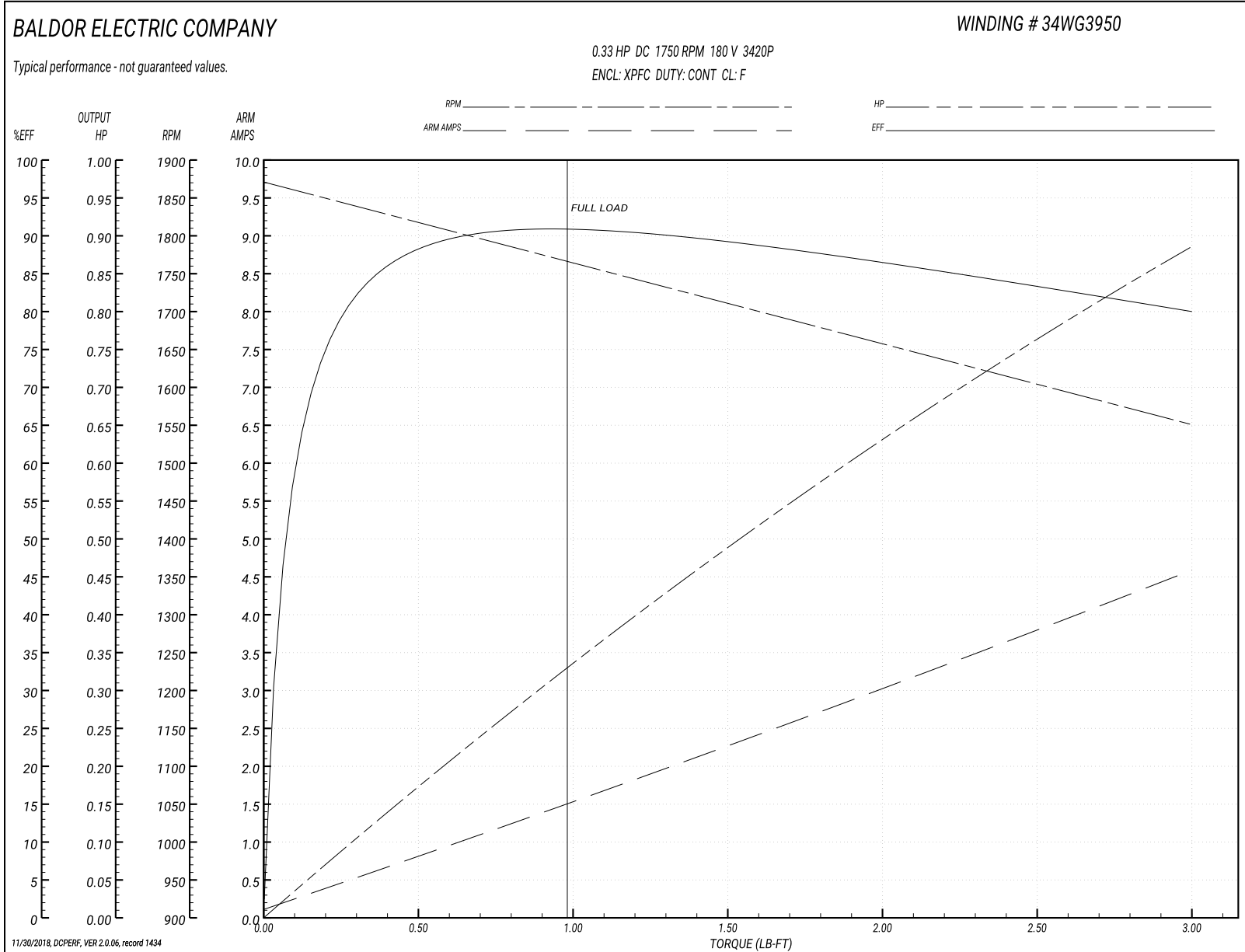
<b>Winding:</b> 34WG3950-R007	<b>Type:</b> 3420P	<b>Enclosure:</b> XPFC
-------------------------------	--------------------	------------------------

Nameplate Data		General Characteristics	
Rated Output (HP)	0.33	Armature Resistance @ 25°C	5.12 Ω
R.P.M.	1750		
Armature Volts	180		
Armature Amps	1.7		
Field Volts		Armature Inductance	43.61 mH
Field Amps			
Rating - Duty	40C AMB-CONT		
Form Factor	1.5		

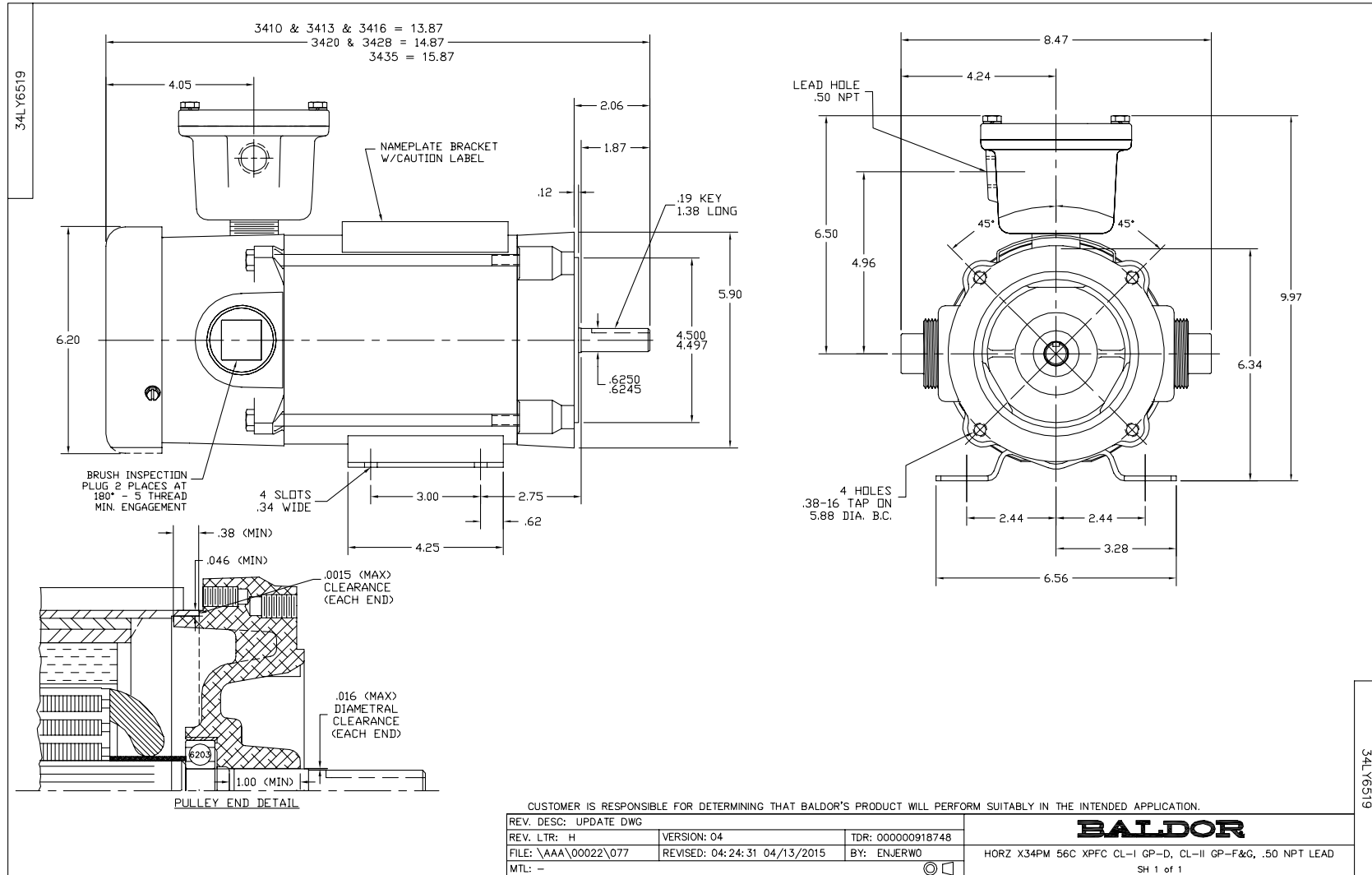
Load Characteristics at 180 Armature Volts

Load Point	1	2	3	4	5	6	7
Armature Amps	0.1	1.2	1.7	2.3	2.8	3.4	4.6
R.P.M.	1872	1791	1752	1707	1670	1632	1552
Torque ( LB-FT )	0	0.75	1.125	1.5	1.875	2.25	3

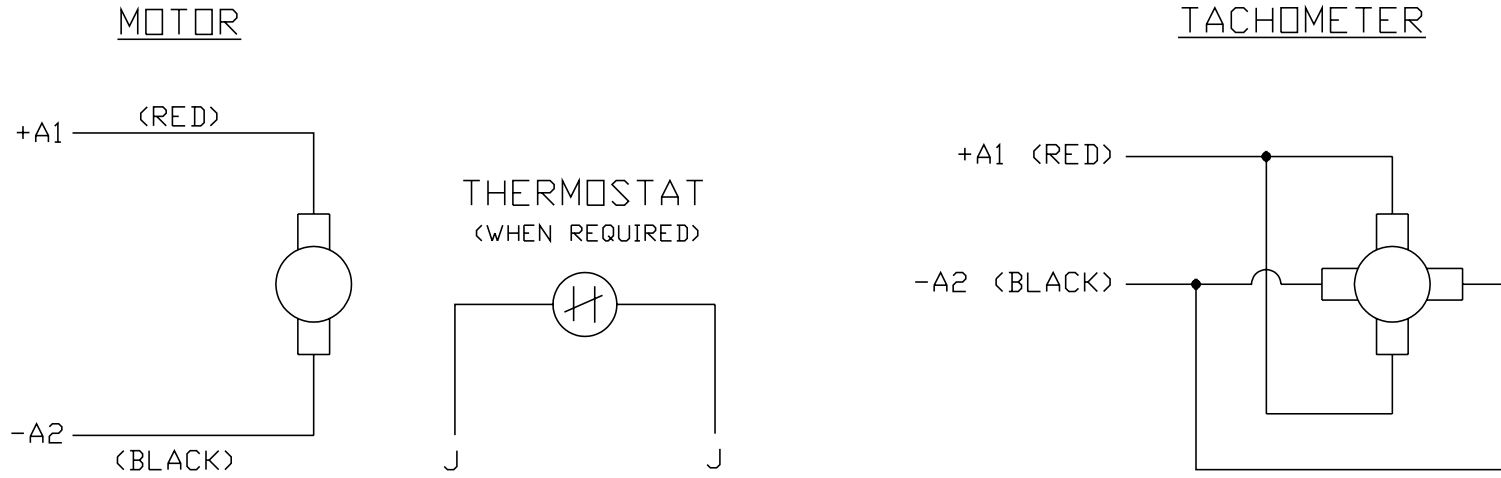
Performance Graph at 180.0 Arm V, 0.33HP Typical performance - Not guaranteed values







CD0194



NOTES:

1. CCW ROTATION AS SHOWN FACING COMMUTATOR END. TO REVERSE MOTOR ROTATION OR TACHOMETER OUTPUT POLARITY INTERCHANGE LEADS A1(RED) & A2(BLACK)
2. LEAD COLORS FOR REFERENCE ONLY & NOT SPECIFIED BY THIS DRAWING. LEAD COLORS SPECIFIED BY LAYOUT DRAWING & BILL OF MATERIAL ONLY.

MATL: -			
REV: E	ADDED NOTE "LEAD COLORS FOR REFERENCE ONLY &..."		
761000	SCALE: -	BY: CK	REVISED: 07/28/95
	FILE: AAA00004503		TDR: 0078737

**BALDOR ELECTRIC Co.**

CD TYPE P DC PERMANENT MAGNET MOTORS AND TACHOMETERS

CD0194