

BALDOR® • RELIANCE 

Product Information Packet

EMVM3546C

.75KW,1760RPM,3PH,60HZ,D80C,3520M,TEFC,B

Part Detail							
Revision:	F	Status:	PRD/A	Change #:		Proprietary:	No
Type:	AC	Elec. Spec:	35WGL315	CD Diagram:	CD0005	Mfg Plant:	
Mech. Spec:	35M366	Layout:	35LYM366	Poles:	04	Created Date:	12-15-2015
Base:	N	Eff. Date:	09-28-2018	Leads:	9#18		

Specs			
Catalog Number:	EMVM3546C	Heater Indicator:	No Heater
Enclosure:	TEFC	Insulation Class:	F
Frame:	D80C	Inverter Code:	Not Inverter
Frame Material:	Steel	KVA Code:	L
Output @ Frequency:	.750 KW @ 60 HZ	Lifting Lugs:	No Lifting Lugs
Synchronous Speed @ Frequency:	1800 RPM @ 60 HZ	Locked Bearing Indicator:	Locked Bearing
Voltage @ Frequency:	460.0 V @ 60 HZ	Motor Lead Quantity/Wire Size:	9 @ 18 AWG
	230.0 V @ 60 HZ	Motor Lead Exit:	Ko Box
XP Class and Group:	None	Motor Lead Termination:	Flying Leads
XP Division:	Not Applicable	Motor Type:	3520M
Agency Approvals:	CSA	Mounting Arrangement:	B14
	CSA EEV	Power Factor:	71
	UR	Product Family:	General Purpose
Auxillary Box:	No Auxillary Box	Pulley End Bearing Type:	Ball
Auxillary Box Lead Termination:	None	Pulley Face Code:	C-Face
Base Indicator:	No Mounting	Pulley Shaft Indicator:	Tapped & Key
Bearing Grease Type:	Polyrex EM (-20F +300F)	Rodent Screen:	None
Blower:	None	RoHS Status:	ROHS COMPLIANT

Current @ Voltage:	1.500 A @ 460.0 V	Shaft Extension Location:	Pulley End
	3.000 A @ 230.0 V	Shaft Ground Indicator:	No Shaft Grounding
	3.100 A @ 208.0 V	Shaft Rotation:	Reversible
Design Code:	B	Shaft Slinger Indicator:	No Slinger
Drip Cover:	No Drip Cover	Speed Code:	Single Speed
Duty Rating:	CONT	Motor Standards:	IEC
Electrically Isolated Bearing:	Not Electrically Isolated	Starting Method:	Direct on line
Feedback Device:	NO FEEDBACK	Thermal Device - Bearing:	None
Frame Prefix:	D	Thermal Device - Winding:	None
Front Face Code:	Standard	Vibration Sensor Indicator:	No Vibration Sensor
Front Shaft Indicator:	None	Winding Thermal 1:	None
		Winding Thermal 2:	None

Nameplate NP3386L			
CAT.NO.	EMVM3546C		
SPEC.	35M366L315G1		
IEC FRAME	D80C	KW	.75
VOLTS	230/460		
AMP	3/1.5		
RPM	1760	ENCL	TEFC
HZ	60	PH	3
SER.F.	1.15	DES	B
NEMA-NOM-EFF	85.5	I.P.	54
RATING	40C AMB-CONT		
CC	010A	USABLE AT 208V	3.1
DE	6205	ODE	6203
SER. #			
	SFA 3.4/1.7		

Parts List		
Part Number	Description	Quantity
SA311970	SA 35M366L315G1	1.000 EA
RA299411	RA 35M366L315G1	1.000 EA
34FN3002B01	EXTERNAL FAN, PLASTIC, .637/.639 HUB W/	1.000 EA
NS2512A01	INSULATOR, CONDUIT BOX X	1.000 EA
35CB3007	35 CB CASTING W/.88 DIA. LEAD HOLE	1.000 EA
36GS1000SP	GASKET-CONDUIT BOX, .06 THICK #SV-330 LE	1.000 EA
51XB1016A07	10-16 X 7/16 HXWSSLD SERTYB	2.000 EA
11XW1032G06	10-32 X .38, TAPTITE II, HEX WSHR SLTD U	1.000 EA
35EP3122K00	MASTER ODE,203 BRG,.683SH,#26 DRN,FH MTG	1.000 EA
HW5100A03	WAVY WASHER (W1543-017)	1.000 EA
35EP1311A12	SPL PU EP IEC D80C FOR SEAL W/ M8X1.25 M	1.000 EA
HW4600B49	SEAL 0.938 X 1.624 X 0.250 SINGLE LIP DB	1.000 EA
51XN1032A20	10-32 X 1 1/4 HX WS SL SR	2.000 EA
51XB1214A16	12-14X1.00 HXWSSLD SERTYB	1.000 EA
35FH4005A32SP	IEC FH NO GRSR W/3 HOLES - PRIMED	1.000 EA
51XW1032A06	10-32 X .38, TAPTITE II, HEX WSHR SLTD S	3.000 EA
35CB4521GX	CONDUIT BOX LID KIT **ORDER INDIV PARTS	1.000 EA
51XW0832A07	8-32 X .44, TAPTITE II, HEX WSHR SLTD SE	4.000 EA
HW2504E10	KEY, 6 MM X 1.000	1.000 EA
MJ5001A27	32220KN GRAY SEALER *MIN BUY 4 QTS=1GAL	0.001 QT
85XU0407S04	4X1/4 U DRIVE PIN STAINLESS	2.000 EA
MJ1000A02	GREASE, POLYREX EM EXXON (USe 4824-15A)	0.050 LB
51XB1214A16	12-14X1.00 HXWSSLD SERTYB	1.000 EA
MG1000Y03	MUNSELL 2.53Y 6.70/ 4.60, GLOSS 20,	0.017 GA

Parts List (continued)		
Part Number	Description	Quantity
HA3100A47	THRUBOLT 10-32 X 7.625	4.000 EA
LC0005	CONN.DIA.,TY M,9-LD,DUAL VOLT,REVERSING	1.000 EA
LB1119N	WARNING LABEL	1.000 EA
NP3386L	ALUM SUPER-E IEC UL CSA-EEV CC	1.000 EA
35PA1066	PKG GRP, PRINT PK1008A06	1.000 EA
PK3082	STYROFOAM CRADLE	1.000 EA
FE-0000001	ZRTG FE ASSEMBLY	1.000 EA

AC Induction Motor Performance Data

Record # 54480 - Typical performance - not guaranteed values

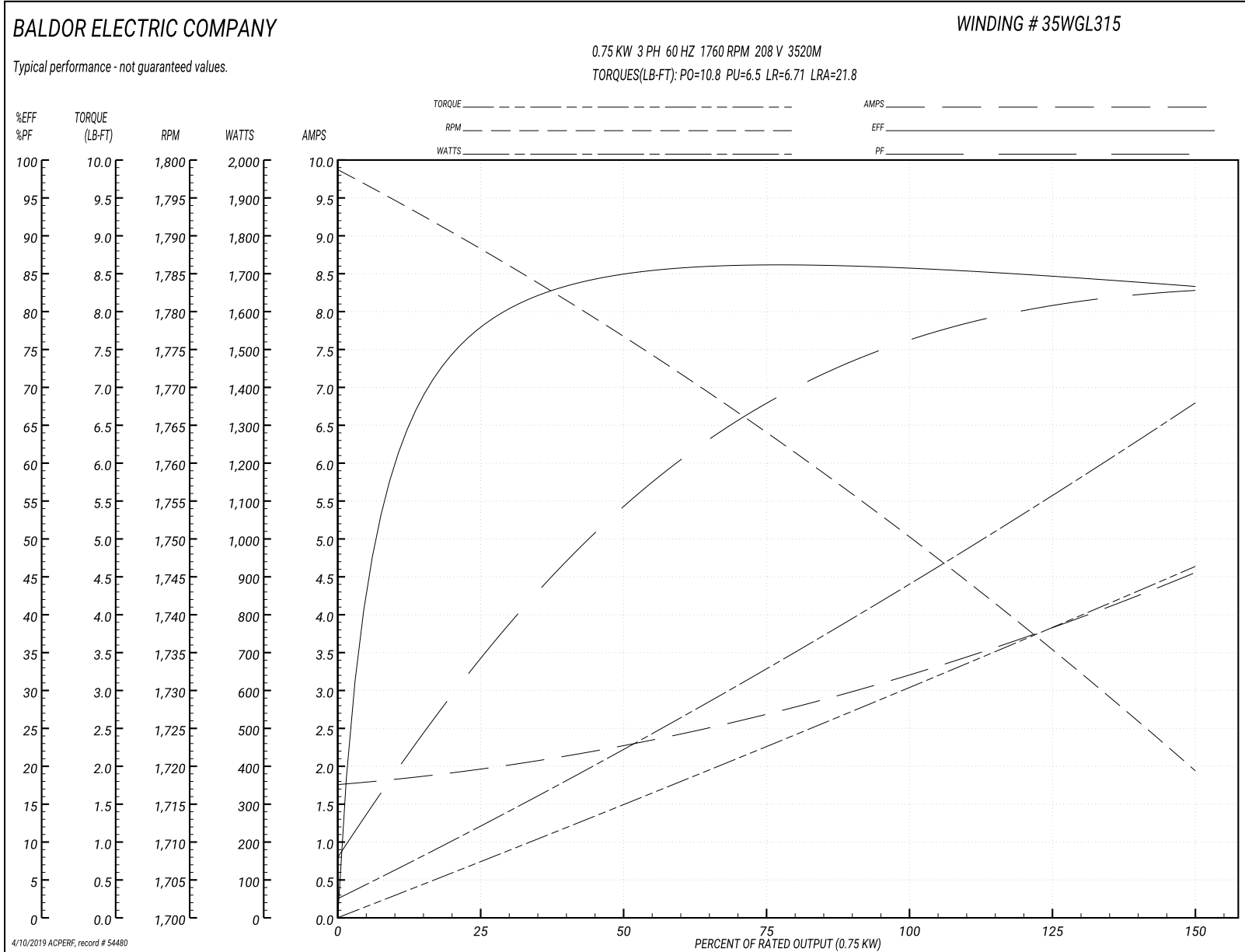
Winding: 35WGL315-R013	Type: 3520M	Enclosure: TEFC
-------------------------------	--------------------	------------------------

Nameplate Data				208 V, 60 Hz: Low Voltage Connection	
Rated Output (KW)	.75			Full Load Torque	3.02 LB-FT
Volts	230/460			Start Configuration	direct on line
Full Load Amps	3/1.5			Breakdown Torque	10.8 LB-FT
R.P.M.	1760			Pull-up Torque	6.5 LB-FT
Hz	60	Phase	3	Locked-rotor Torque	6.71 LB-FT
NEMA Design Code	B	KVA Code	L	Starting Current	21.8 A
Service Factor (S.F.)	1.15			No-load Current	1.79 A
NEMA Nom. Eff.	85.5	Power Factor	71	Line-line Res. @ 25°C	3.78 Ω
Rating - Duty	40C AMB-CONT			Temp. Rise @ Rated Load	36°C
S.F. Amps	3.4/1.7			Temp. Rise @ S.F. Load	44°C
				Locked-rotor Power Factor	53.5
				Rotor inertia	0.118 LB-FT ²

Load Characteristics 208 V, 60 Hz, 0.75 KW

% of Rated Load	25	50	75	100	125	150	S.F.
Power Factor	35	55	68	75	81	83	79
Efficiency	78.2	84.9	86.2	85.9	84.8	83.3	85.2
Speed	1788	1776	1764	1751	1736	1719	1743
Line amperes	1.92	2.27	2.69	3.22	3.83	4.54	3.49

Performance Graph at 208V, 60Hz, 0.75KW Typical performance - Not guaranteed values



AC Induction Motor Performance Data

Record # 54482 - Typical performance - not guaranteed values

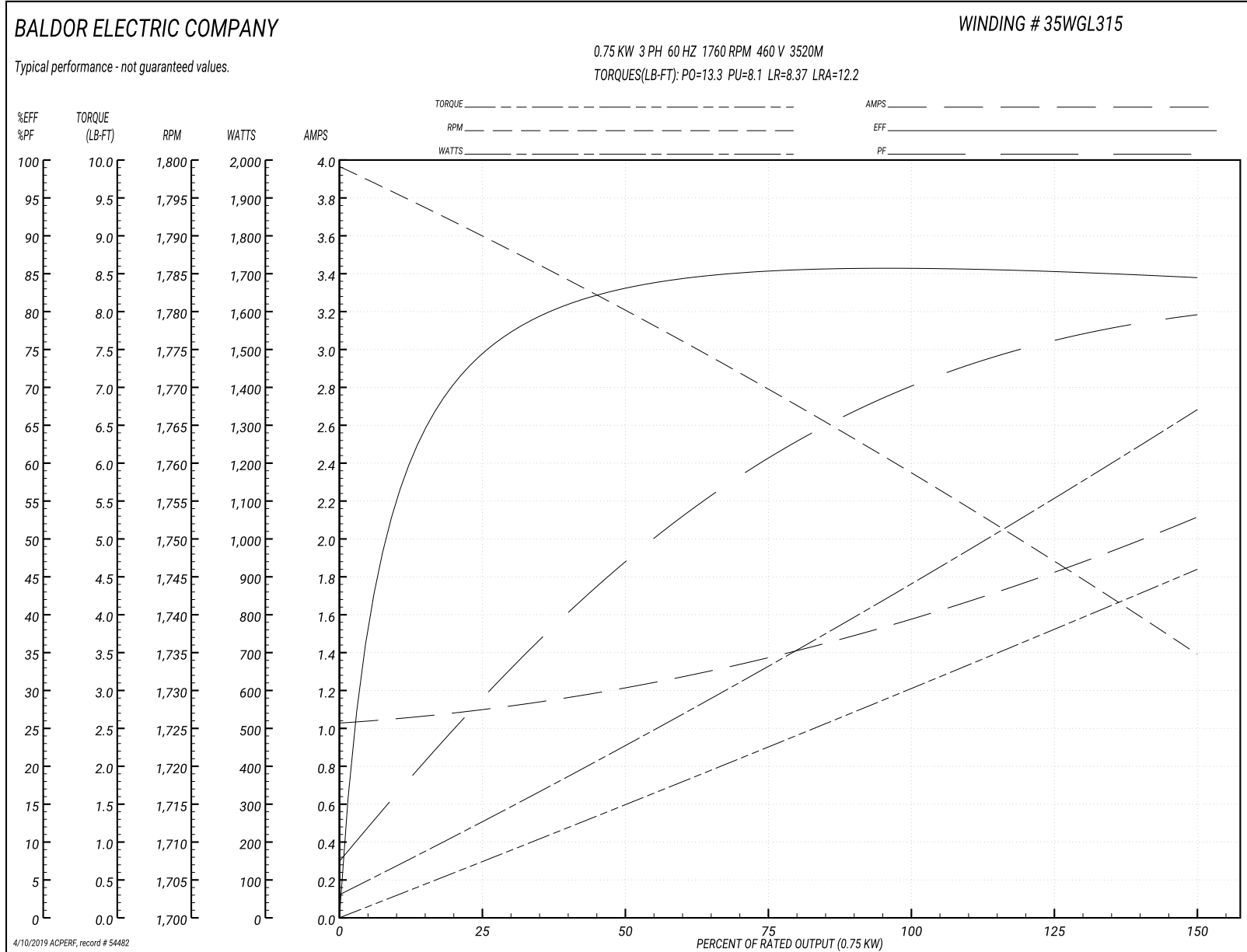
Winding: 35WGL315-R013	Type: 3520M	Enclosure: TEFC
-------------------------------	--------------------	------------------------

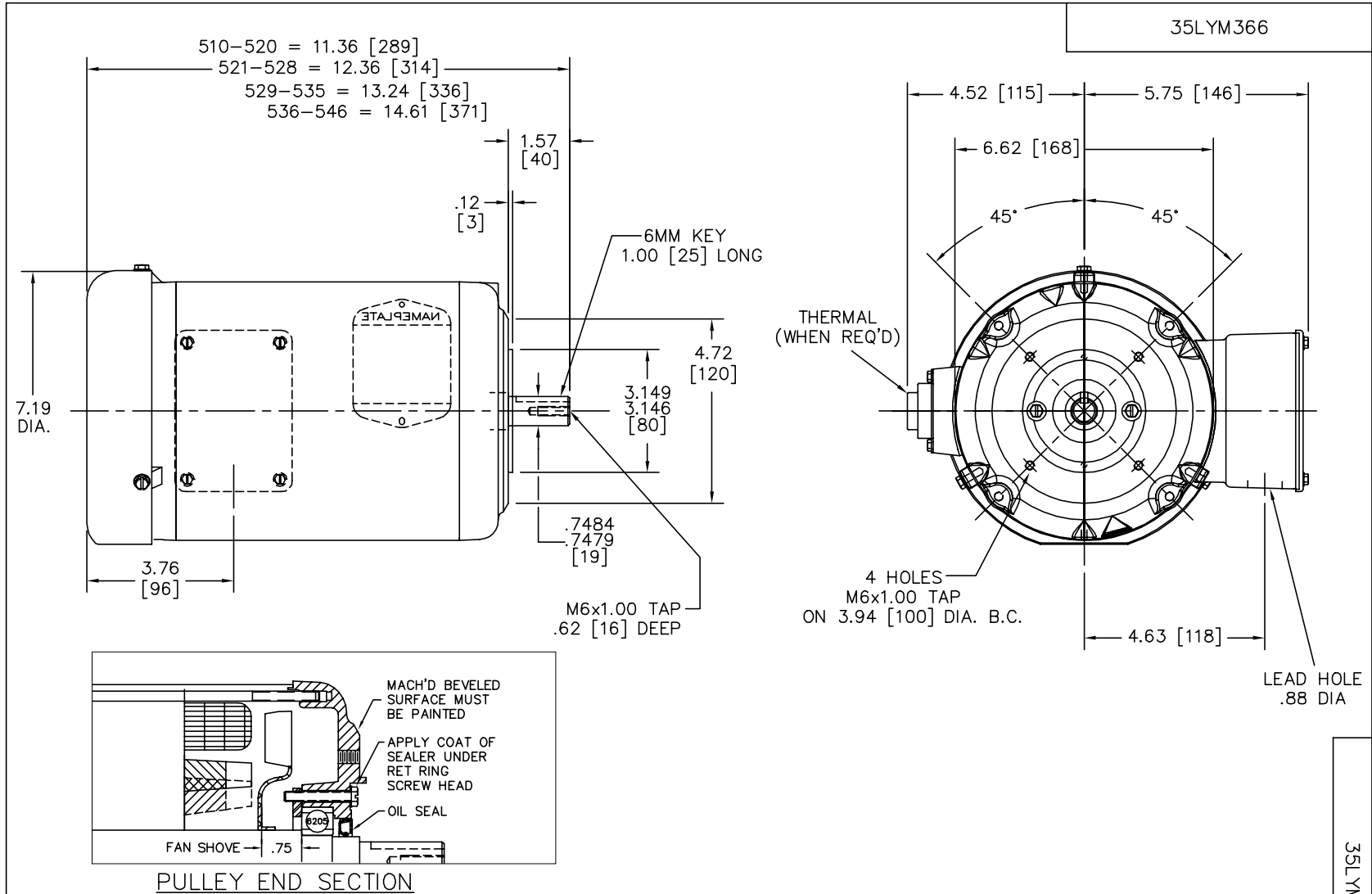
Nameplate Data				460 V, 60 Hz: High Voltage Connection	
Rated Output (KW)	.75			Full Load Torque	3 LB-FT
Volts	230/460			Start Configuration	direct on line
Full Load Amps	3/1.5			Breakdown Torque	13.3 LB-FT
R.P.M.	1760			Pull-up Torque	8.1 LB-FT
Hz	60	Phase	3	Locked-rotor Torque	8.37 LB-FT
NEMA Design Code	B	KVA Code	L	Starting Current	12.2 A
Service Factor (S.F.)	1.15			No-load Current	1.04 A
NEMA Nom. Eff.	85.5	Power Factor	71	Line-line Res. @ 25°C	15.1 Ω
Rating - Duty	40C AMB-CONT			Temp. Rise @ Rated Load	36°C
S.F. Amps	3.4/1.7			Temp. Rise @ S.F. Load	42°C
				Locked-rotor Power Factor	53.5
				Rotor inertia	0.118 LB-FT ²

Load Characteristics 460 V, 60 Hz, 0.75 KW

% of Rated Load	25	50	75	100	125	150	S.F.
Power Factor	30	47	61	69	76	80	75
Efficiency	74.7	83.2	85.5	85.8	85.3	84.6	85.4
Speed	1790	1780	1770	1759	1747	1735	1754
Line amperes	1.08	1.22	1.37	1.58	1.82	2.11	1.69

Performance Graph at 460V, 60Hz, 0.75KW Typical performance - Not guaranteed values





CUSTOMER IS RESPONSIBLE FOR DETERMINING THAT BALDOR'S PRODUCT WILL PERFORM SUITABLY IN THE INTENDED APPLICATION.

REV. DESC: REPLACE ENDPLATES		
REV. LTR: F	VERSION: 05	TDR: 000001063670
FILE: \AAA\00009\341	REVISED: 10:08:30 03/13/2018	BY: FPJFQGO
MTL: -	⊙ ⊐	

BALDOR

VERT IEC D80C TEFC 35M B14 (F2) MTG W/SEAL

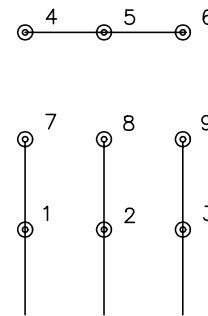
SH 1 of 1

35LYM366

CD0005

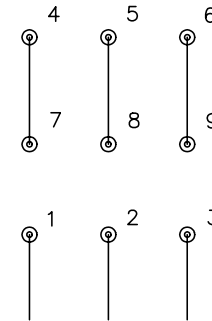


LOW VOLTAGE
(2Y)



LINE

HIGH VOLTAGE
(1Y)



LINE

NOTES:

1. INTERCHANGE ANY TWO LINE LEADS TO REVERSE ROTATION.
2. OPTIONAL THERMOSTATS ARE PROVIDED WHEN SPECIFIED.
3. ACTUAL NUMBER OF INTERNAL PARALLEL CIRCUITS MAY BE A MULTIPLE OF THOSE SHOWN ABOVE.
4. LEAD COLORS ARE OPTIONAL. LEADS MUST ALWAYS BE NUMBERED AS SHOWN.

REV. DESC: REVISE TO SHOW OPTIONAL COLORS			
REV. LTR: E	BY: JLP	REVISED: 01/19/99 10:15	TDR: 0171435
900000		FILE: AAA00005140	MDL: -
		MTL: -	

BALDOR ELECTRIC Co.

3PH, DV, 9 LEADS

CD0005