

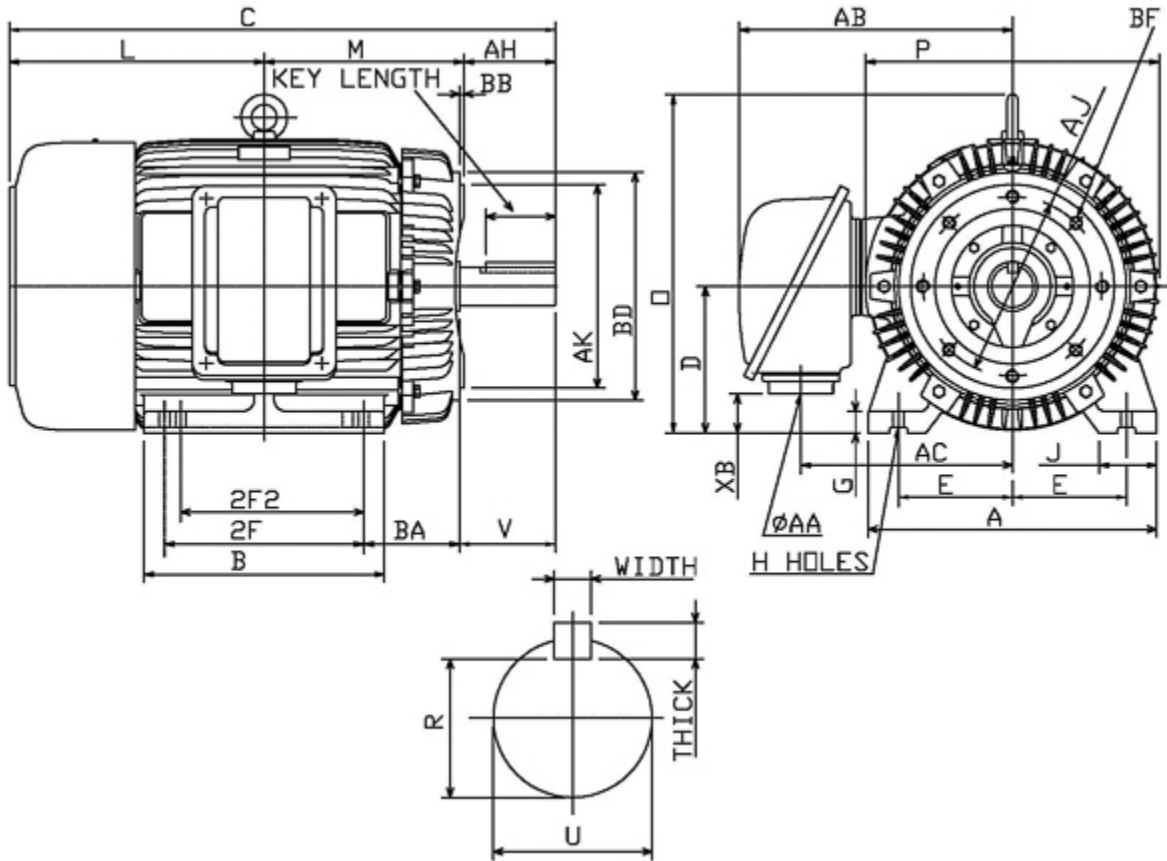
Technical Documentation

PDH05025C
Optim TEFC | AEHH8N

Date: November 30, 2016

Dimensional Drawing

Catalogue	Model	HP	Pole	kW	Rating	Voltage	Hz	RPM
PDH05025C	AEHH8N	50	2	37	Continuous	575 V	60	3600



Frame Size	Mounting					A	B	C	CD	D	
	E	2F	2F2	H	BA						
326TSC	6.25	12	10.5	0.66	5.25	15.75	14.35	29.92		8	
G	J	K	L	M	O	P	T	Key			Keyseat R
								Width	Thick	Length	
1.1	3.15		14.92	11.04	16.27	16.54	2.32	0.5	0.5	2.03	1.591
Terminal Housing			Aux Box			C/D Flange					
AA	AB	AC	XB	AE	AX	BB	AH	AK	BD	AJ	BF
2 NPT	14.65	11.3	3.59			0.25	3.5	12.5	13.58	11	5/8-11UNC
Shaft Extension			Bearings		Approx. Weight Lbs	SPL dBA/3ft	Ins. Class	S.F.	Drive Method	Dimensions	
N-W	U	V	DE	NDE							
3.75	1.875	3.65	6312C3	6212C3	708	78	F	1.15	Direct Coupling	Inches	

Technical Data Sheet

Motor Type: AEHH8N

Catalogue No: PDH05025C

Nameplate Information

HP	Pole	RPM	Frame	Voltage	Hz	Phase
50	2	3550	326TSC	575	60	3
Enclosure	Ins. Class	Service Factor	Time Rating	NEMA Design	Rated Amb.	Rated Altitude
TEFC	F	1.15	Continuous	B	-40 to 40 °C	<3300 ft

Typical Performance

Efficiency (%)				Power Factor (%)		
Full Load		3/4 Load	1/2 Load	Full Load	3/4 Load	1/2 Load
Nom.	Min.					
94.1	93.0	94.5	94.5	91.0	90.0	86.5
Torque				Current (A)		
Full Load (lb-ft)	Locked Rotor (% FLT)	Pull Up (% FLT)	Break Down (% FLT)	No Load	Full Load	Locked Rotor
73.95	150	130	240	8.2	43.7	290
NEMA KVA Code	Inertia (WR ²)			Safe Stall Time (s)		Noise Level Sound Press. dB(A)
	Rotor (lb-ft ²)	NEMA Load (lb-ft ²)	Max. Allowable (lb-ft ²)	Cold	Hot	
G	4.488	49.0	83.0	17	12	78

VFD Duty Information

Speed Range			VFD		S.F.
Constant Torque	Variable Torque	Constant Power	Carrier	Type	
6-60Hz	3-60Hz	60-75Hz	≤ 5 kHz	VPWM or CPWM	1.0 Only

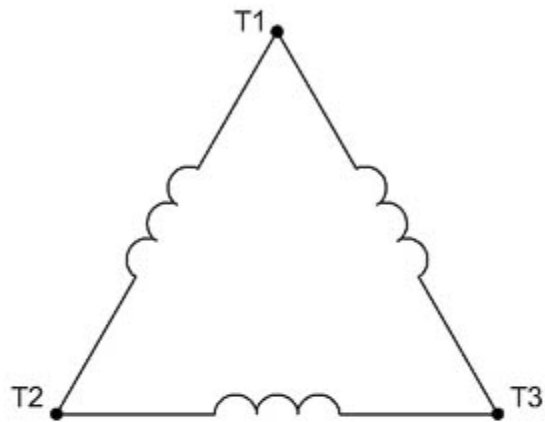
Additional Information

Bearings		Approx. Weight
DE	NDE	lbs
6312C3	6212C3	708

Hazardous Locations Information

CSA Certified	
Class I, Div 2, Groups B, C & D Class I, Zone 2, Groups IIB+H2, IIB & IIA	
Temp Code (Sinewave / VFD)	T3C / T3

Connection Diagram

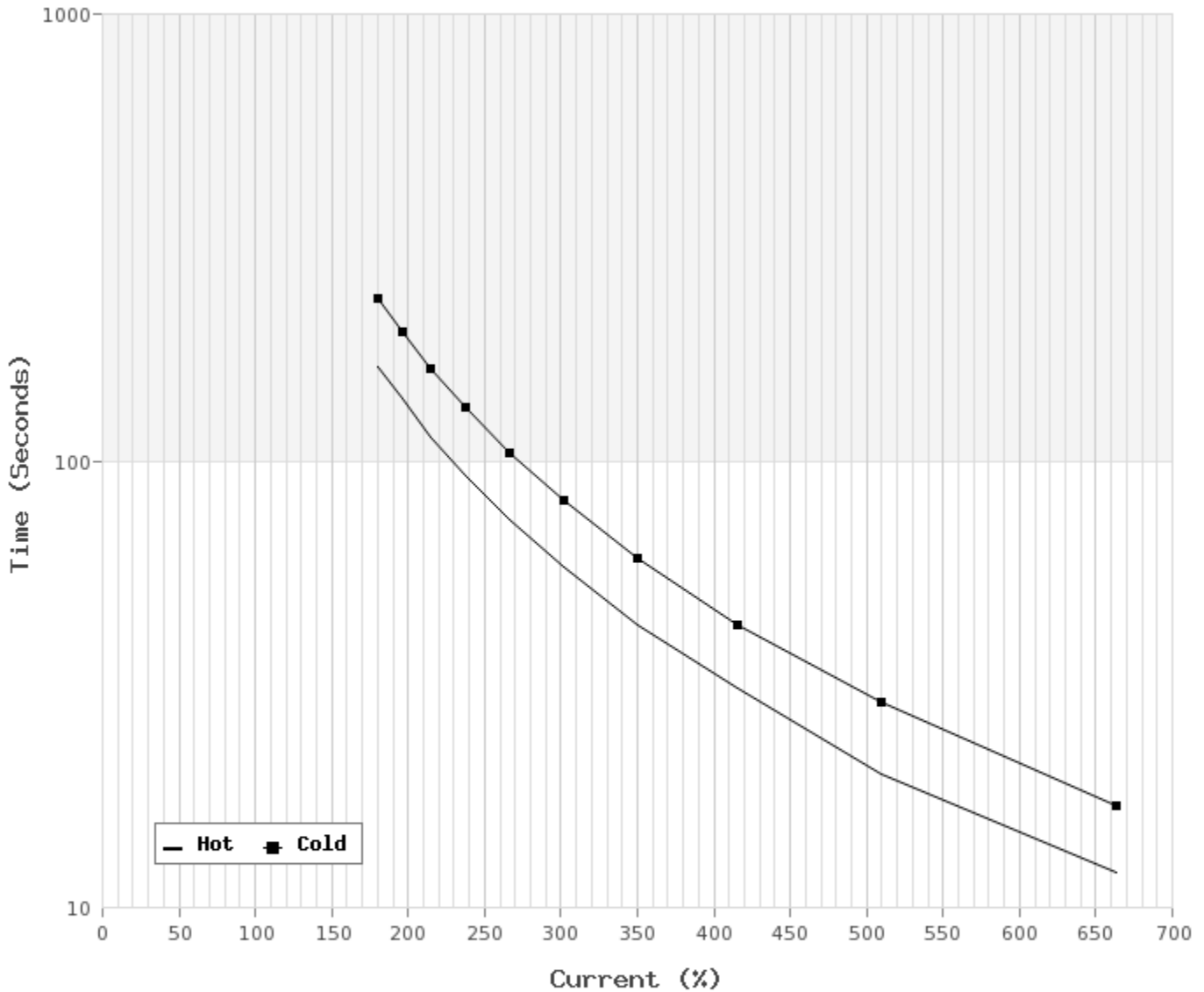


3 LEAD SINGLE VOLTAGE DELTA					
VOLTAGE	CONN.	L1	L2	L3	
-	DELTA	1	2	3	

WD_3D

Thermal Limit Curves

Motor Type: AEHH8N		Catalogue No: PDH05025C		Family: Optim TEFC	
HP	50	Safe Stall Time		Full Load A	0.0 / 43.7 A
Voltage	0 / 575V 60Hz	Hot	12 s	Locked Rotor A	663 %
RPM	3600	Cold	17 s	Locked Rotor A	0.0 / 290 A



T-N and I-N Curves

Motor Type: AEHH8N		Catalogue No: PDH05025C		Family: Optim TEFC	
HP	50	Full Load T	73.95 lb-ft	Full Load A	43.7 A
Voltage	575V 60Hz	Locked Rotor T	150 %	Locked Rotor A	290.0 A
RPM	3600	Pull Up T	130 %	Break Down T	240 %

