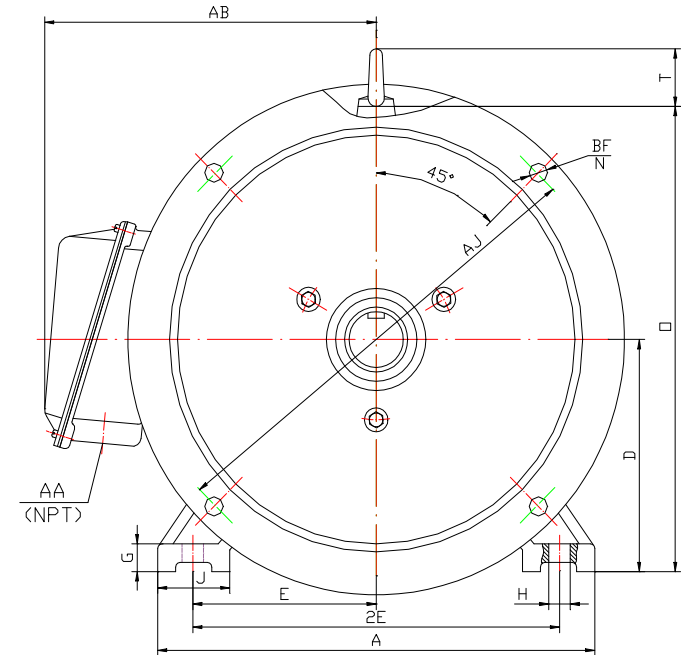
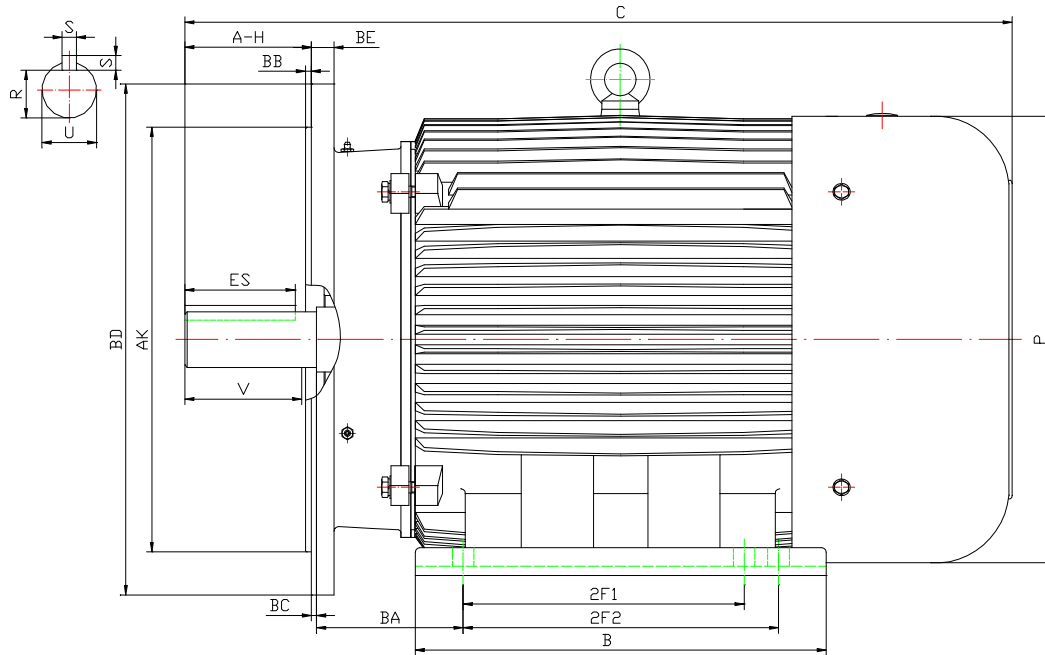
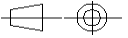


Orientation



HP	RPM	Frame	WGT lb	MQP / MPP-61D
----	-----	-------	--------	---------------

A	B	C	D	G	H	J	E	2E	2F1			
15.50"	14.70"	29.80"	8.00"	1.00"	6 * 0.66"	2.75"	6.25"	12.50"	10.50"			
2F2	O	P	T	AK	AJ	AH	BA	BB	BC	BD	BE	N*BF
12.00"	15.90"	15.70"	2.60"	14.00"	16.00"	3.75"	5.25"	0.25"	0.00"	18.00"	0.75"	4*0.81"
U	V	R	S	ES	AA	AB	DE Brg	ODE Brg				
1.875"	3.50"	1.591"	0.500"	2.03"	2" NPT	12.30"	6312	6312	Revised: August 2018			

MaxMotion