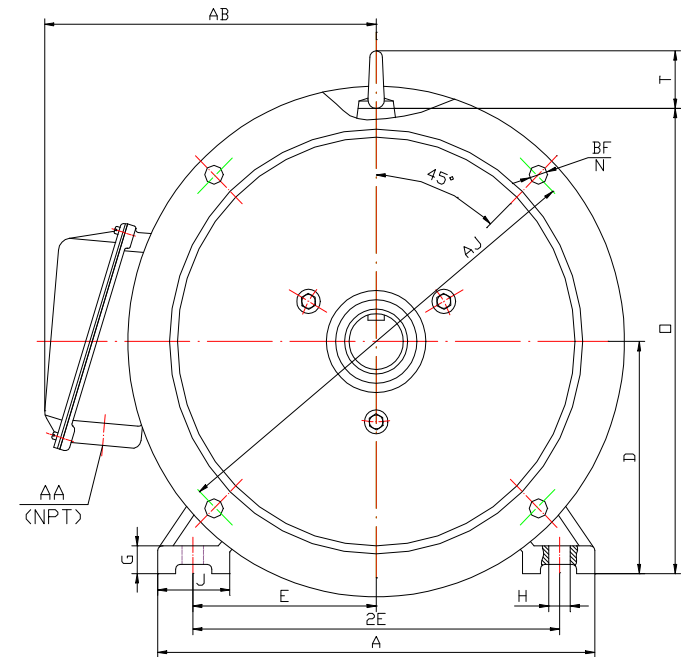
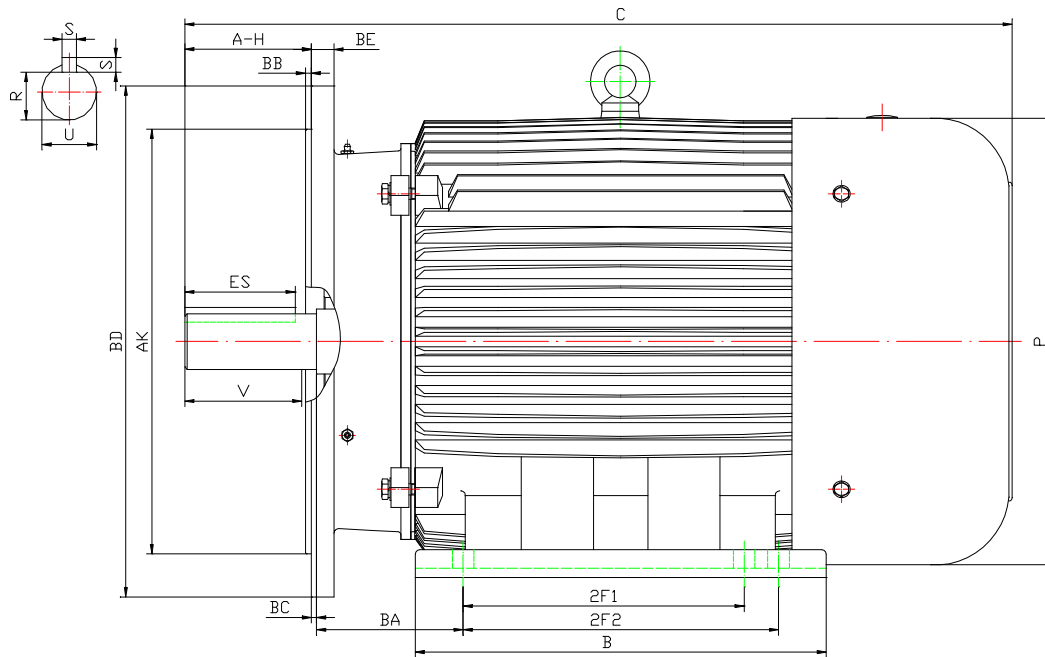
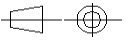


Orientation



HP	RPM	Frame	WGT lb	MQP / MPP-47D
----	-----	-------	--------	---------------

A	B	C	D	G	H	J	E	2E	2F1			
14.00"	13.20"	26.60"	7.00"	0.85"	4 * 0.53"	2.75"	5.50"	11.00"	9.50"			
2F2	O	P	T	AK	AJ	AH	BA	BB	BC	BD	BE	N*BF
-	14.50"	14.00"	2.20"	11.00"	12.50"	4.62"	4.75"	0.25"	0.00"	14.00"	0.75"	4*0.81"
U	V	R	S	ES	AA	AB	DE Brg	ODE Brg				
1.875"	4.38"	1.591"	0.500"	3.28"	1-1/2" NPT	11.30"	6311	6311	Revised: August 2018			

MaxMotion