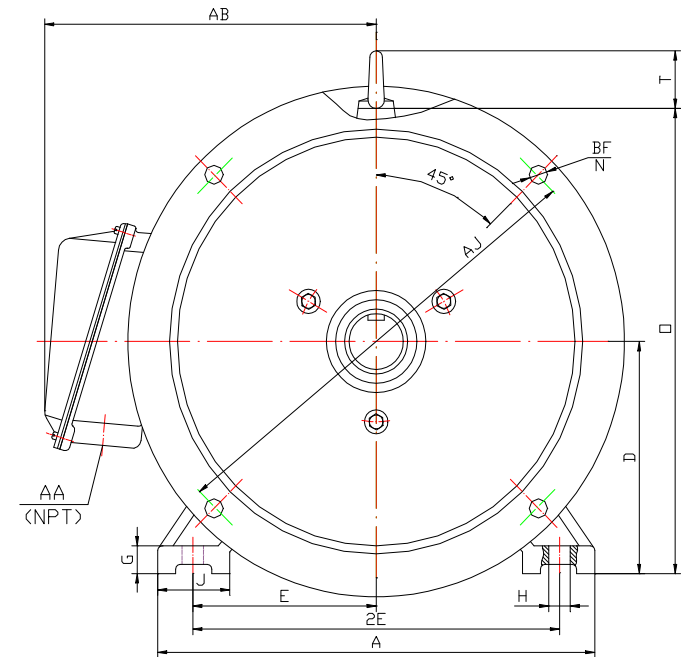
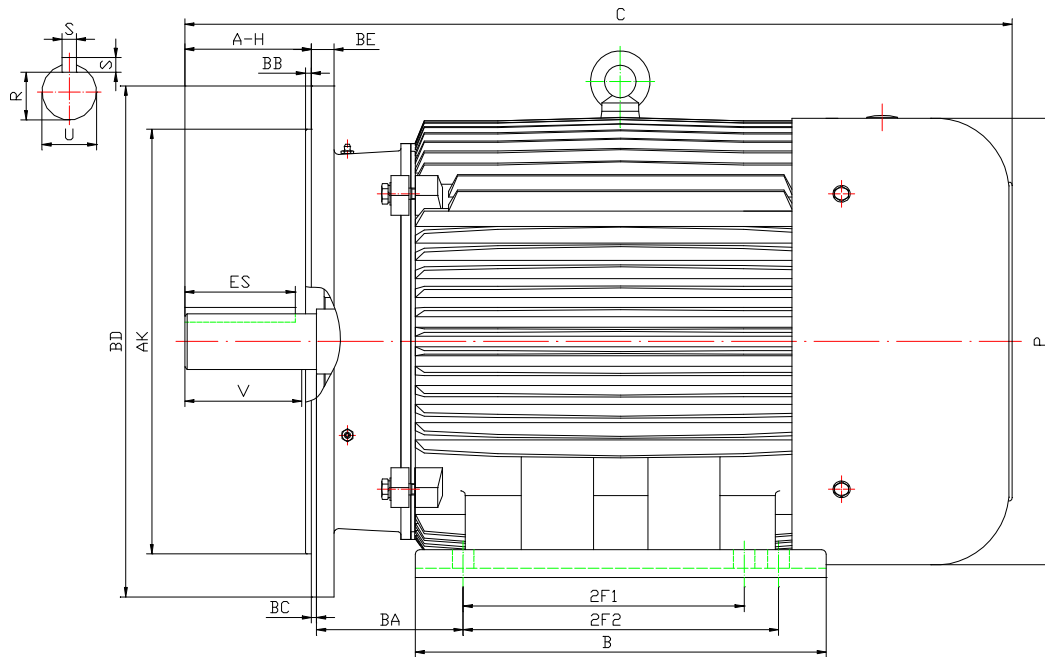
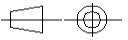


Orientation



HP	RPM	Frame	WGT lb	MQP / MPP-53D
----	-----	-------	--------	---------------

A	B	C	D	G	H		J	E	2E	2F1
15.50"	14.70"	31.30"	8.00"	1.00"	6 * 0.66"		2.75"	6.25"	12.50"	10.50"
2F2	O	P	T	AK	AJ	AH	BA	BB	BC	BD
12.00"	15.90"	15.70"	2.60"	14.00"	16.00"	5.25"	5.25"	0.25"	0.00"	18.00"
U	V	R	S	ES	AA		AB	DE Brg		ODE Brg
2.125"	5.00"	1.845"	0.500"	3.91"	2" NPT		12.30"	6312		6312

30	1200	326TD	537,0	Cast Iron NEMA Premium
				N*BF
				4*0.81"
				Revised: August 2018

MaxMotion