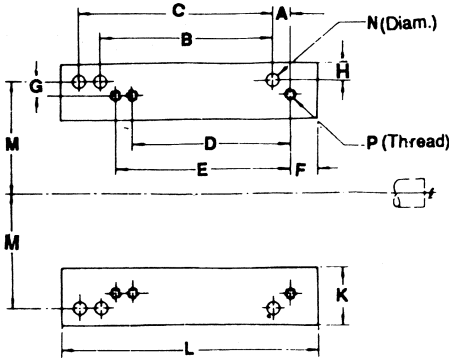




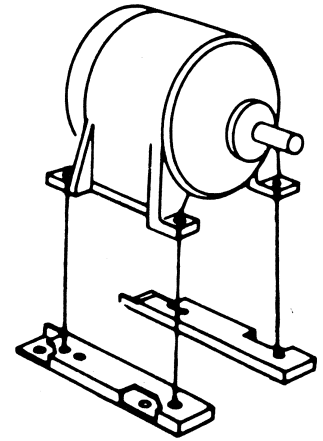
OVERLY HAUTZ COMPANY
 PO BOX 837 215 SOUTH WEST STREET LEBANON, OHIO 45036-0873
 PHONE 513.932.0025 FAX 513.932.1688 WWW.OVERLYHAUTZ.COM

DATA SHEET AD-7

ADAPT-O-MOUNT



adapting to the
NEMA
 "T" SERIES
 motors



Former NEMA	New NEMA	Overly-Hautz part number	O.A. height	A	B	C	D	E	F	G	H	K	L	M	N	P
203	143T				5-1/2		4									
203	145T	2014T	1-1/2	7/8	5-1/2			5								
204	143T					6-1/2	4									
204	145T					6-1/2		5	3/4	1-1/4	1/2	2-1/2	9	4	7/16	5/16-18
213	143T				5-1/2		4									
213	145T	2114T	1-3/4	2	5-1/2			5								
215	143T					7	4									
215	145T					7		5	1	1-1/2	5/8	2-7/8	10-1/2		7/16	3/8-16
224	143T				6-3/4		4									
224	145T	2214T	2	2	6-3/4			5								
225	143T					7-1/2	4									
225	145T					7-1/2		5	3/4	1-3/4	1/2	5	11	4-1/2	7/16	5/16-18
224	182T				6-3/4		4-1/2									
224	184T	2218T	1	1	6-3/4			5-1/2		3/4	3/4	2-1/2	10-1/4		7/16	3/8-16
225	182T					7-1/2	4-1/2		1							
225	184T					7-1/2		5-1/2								
254	182T				8-1/4		4-1/2	5-1/2								
254	184T	2518T	1-3/4	2-1/8	8-1/4		4-1/2	5-1/2	1	1-1/4	3/4	3	12-1/4	5	9/16	3/8-16
254	213T				8-1/4		5-1/2		1	3/4	3/4	2-1/2	11		9/16	3/8-16
254	215T	2521T	1	3/4	8-1/4			7								
284	213T				9-1/2		5-1/2									
284	215T	2821T	1-3/4	1-5/8	9-1/2			7	1-1/4	1-1/4	1	3-1/4	13-3/8		9/16	3/8-16

Information for conversions not listed available on request.

DIMENSIONS ARE IN INCHES CORRESPONDING TO LETTERS IN ABOVE DRAWING.

All units will accommodate an adjustable or stationary application.

All units, packed in cartons, are furnished with one coat of gray primer & all necessary nuts & bolts for making transitions.

(OVER)

Certification for: _____

PT. No. _____ Date: _____ By: _____

D.S. AD 7