

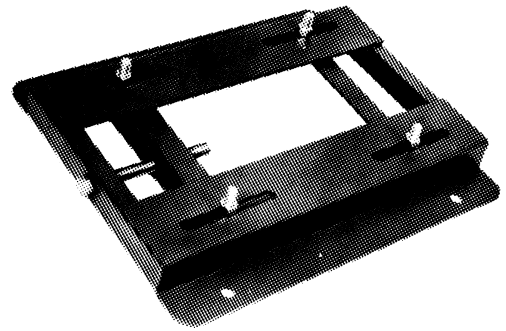
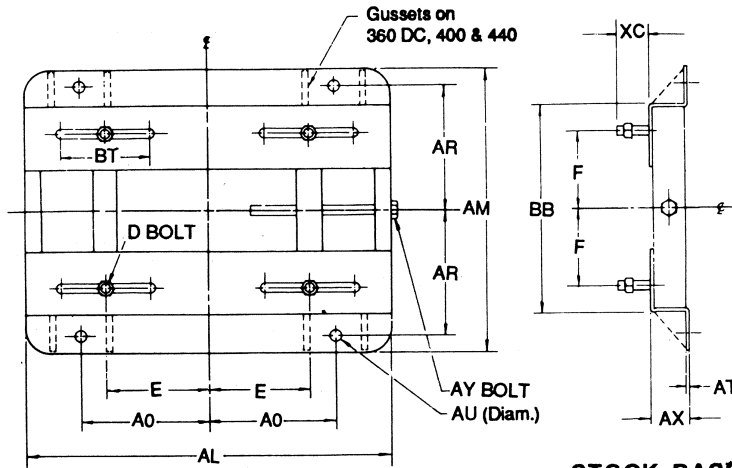


OVERLY HAUTZ COMPANY

PO BOX 837 215 SOUTH WEST STREET LEBANON, OHIO 45036-0873
 PHONE 513.932.0025 FAX 513.932.1688 WWW.OVERLYHAUTZ.COM

NEMA

STEEL ADJUSTABLE MOTOR BASES



STOCK BASES

STYLE B

FRAME & PART NO.	AL	AM	AX	BB	E	F	A0	AR	AU	BT	AT	XC	D BOLT	AY BOLT	APPROX. WT. (LBS)
254	17-3/4	15-1/8	2	10-3/4	5	4-1/8	6-1/4	6-5/8	5/8	4	3/16	1-7/16	1/2x1 3/4	5/8x6-1/2	17-1/2
256	17-3/4	16-7/8	2	12-1/2	5	5	6-1/4	7-1/2	5/8	4	3/16	1-7/16	1/2x1 3/4	5/8x6-1/2	18-1/2
284	19-3/4	16-7/8	2	12-1/2	5-1/2	4-3/4	7	7-1/2	5/8	4-1/2	3/16	1-11/16	1/2x2	5/8x6-1/2	21
286	19-3/4	18-3/8	2	14	5-1/2	5 1/2	7	8-1/4	5/8	4-1/2	3/16	1-11/16	1/2x2	5/8x6-1/2	22
324	22-3/4	19-1/4	2-1/2	14	6-1/4	5 1/4	8	8-1/2	3/4	5-1/4	3/16	2-3/16	5/8x2 1/2	3/4x9	31
326	22-3/4	20-3/4	2-1/2	15-1/2	6-1/4	6	8	9-1/4	3/4	5-1/4	3/16	2-3/16	5/8x2 1/2	3/4x9	32
364	25-1/2	20-1/2	2-1/2	15-1/2	7	5-5/8	9	9-1/8	3/4	6	1/4	2-1/16	5/8x2 1/2	3/4x9	44
365	25-1/2	21-1/2	2-1/2	16-1/2	7	6-1/8	9	9-5/8	3/4	6	1/4	2-1/16	5/8x2 1/2	3/4x9	45
404	28-3/4	22-3/8	3	16-1/2	8	6-1/8	10	9-7/8	7/8	7	1/4	2 1/2	3/4x3	3/4x11	60
405	28-3/4	23-7/8	3	18	8	6-7/8	10	10-5/8	7/8	7	1/4	2 1/2	3/4x3	3/4x11	61
444	31-1/4	24-5/8	3	19-1/4	9	7-1/4	11	11	7/8	7-1/2	5/16	2 1/2	3/4x3	3/4x11	83
445	31-1/4	26-5/8	3	21-1/4	9	8-1/4	11	12	7/8	7-1/2	5/16	2 1/2	3/4x3	3/4x11	85

NON STOCK BASES

FRAME & PART NO.	AL	AM	AX	BB	E	F	A0	AR	AU	BT	AT	XC	D BOLT	AY BOLT	APPROX. WT. (LBS)
203	14	11	1-3/4	7-1/2	4	2-3/4	5	4-3/4	1/2	3	3/16	1-7/16	3/8x1-3/4	1/2x5	11-1/2
204	14	12	1-3/4	8-1/2	4	3-1/4	5	5-1/4	1/2	3	3/16	1-7/16	3/8x1-3/4	1/2x5	12
224	15-1/2	12 1/4	1-3/4	8-3/4	4-1/2	3-3/8	5-1/2	5-3/8	1/2	3-1/2	3/16	1-7/16	3/8x1-3/4	1/2x5	13
225	15-1/2	13	1-3/4	9-1/2	4-1/2	3-3/4	5-1/2	5-3/4	1/2	3-1/2	3/16	1-7/16	3/8x1-3/4	1/2x5	14
257	17-3/4	17-7/8	2	13-1/2	5	5-1/2	6-1/4	8	5/8	4	3/16	1-7/16	1/2x1-3/4	5/8x6-1/2	19
258	17-3/4	19-3/8	2	15	5	6-1/4	6-1/4	8-3/4	5/8	4	3/16	1-7/16	1/2x1-3/4	5/8x6-1/2	20
287	19-3/4	19-7/8	2	15-1/2	5-1/2	6-1/4	7	9	5/8	4-1/2	3/16	1-11/16	1/2x2	5/8x6-1/2	23
288	19-3/4	21-3/8	2	17	5-1/2	7	7	9 3/4	5/8	4-1/2	3/16	1-11/16	1/2x2	5/8x6-1/2	24
364DC	25-1/2	20-1/2	2-1/2	15-1/2	7	5-5/8	9	9-1/8	7/8	6	1/4	2-1/2	3/4x3	3/4x9	44
365DC	25-1/2	21-1/2	2-1/2	16-1/2	7	6-1/8	9	9-5/8	7/8	6	1/4	2-1/2	3/4x3	3/4x9	45
366DC	25-1/2	23-1/4	2-1/2	18-1/4	7	7	9	10-1/2	7/8	6	1/4	2-1/2	3/4x3	3/4x9	50
367DC	25-1/2	25-1/4	2-1/2	20-1/4	7	8	9	11-1/2	7/8	6	1/4	2-1/2	3/4x3	3/4x9	53
404DC	28-3/4	22-3/8	3	16-1/2	8	6-1/8	10	9-7/8	1	7	1/4	3	7/8x3-1/2	3/4x11	60
405DC	28-3/4	23-7/8	3	18	8	6-7/8	10	10-5/8	1	7	1/4	3	7/8x3-1/2	3/4x11	61
406DC	28-3/4	26-1/8	3	20-1/4	8	8	10	11-3/4	1	7	1/4	3	7/8x3-1/2	3/4x11	62
407DC	28-3/4	28-1/8	3	22-1/4	8	9	10	12-3/4	1	7	1/4	3	7/8x3-1/2	3/4x11	64
408DC	28-3/4	30-1/8	3	24-1/4	8	10	10	13-3/4	1	7	1/4	3	7/8x3-1/2	3/4x11	66

AC & DC Bases Are Identical For Frames 254 Thru 326

DIMENSIONS ARE IN INCHES: Bases are furnished with one coat of corrosion-resistant gray primer and zinc plated nuts and bolts.

Bases listed may also be used if the motor frame is succeeded by S, T, U, US or any letter combination as long as the motor complies with N.E.M.A.

The liability of the Overly-Hautz Company to the purchaser is limited to replacement of defective materials supplied. One year from the date of our shipment all liability shall terminate. There are no warranties which extend beyond the description on the face hereof.

DIMENSION SHEET MB-200-B

CERTIFIED FOR: _____

FRAME _____ BY _____ DATE _____