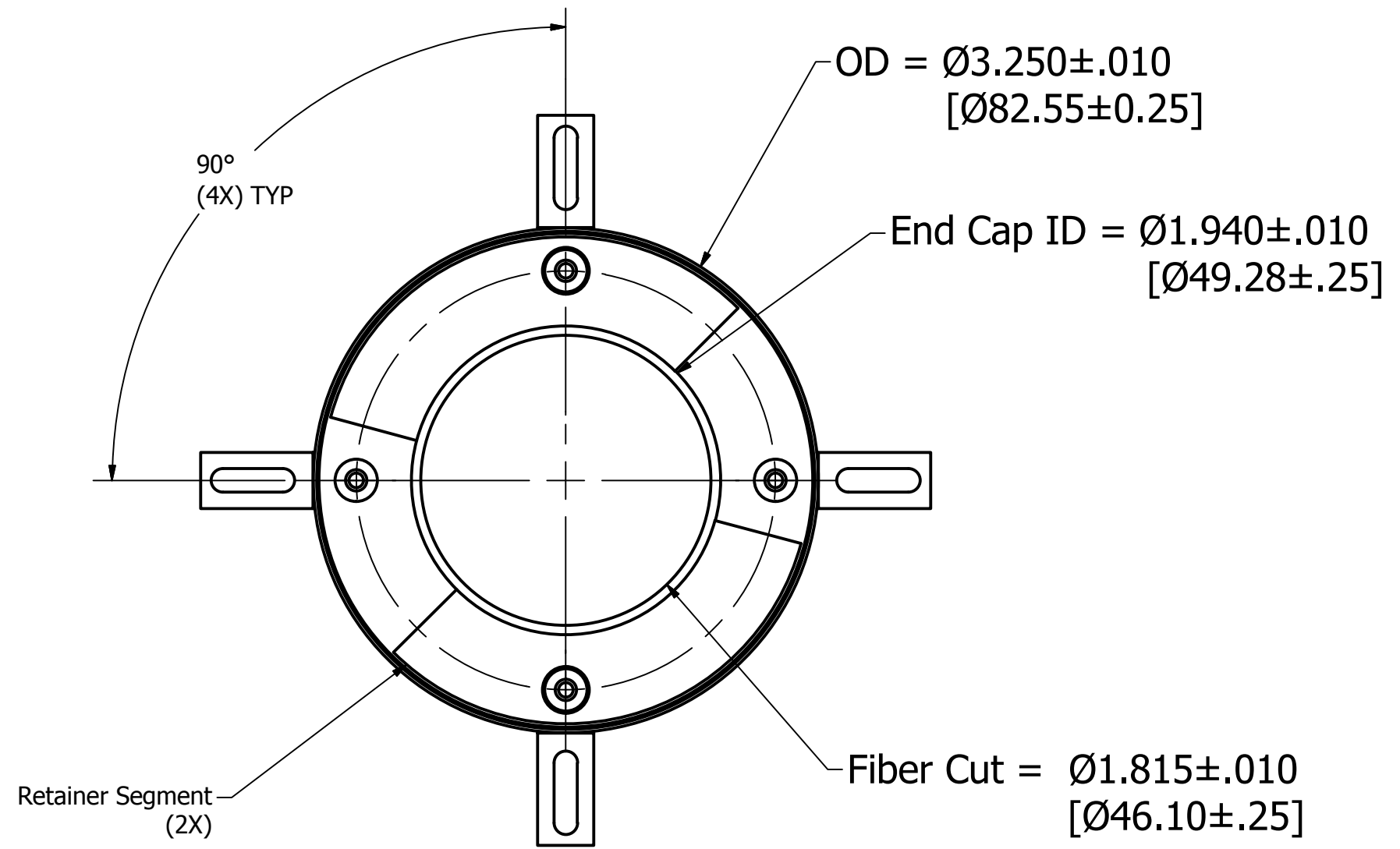
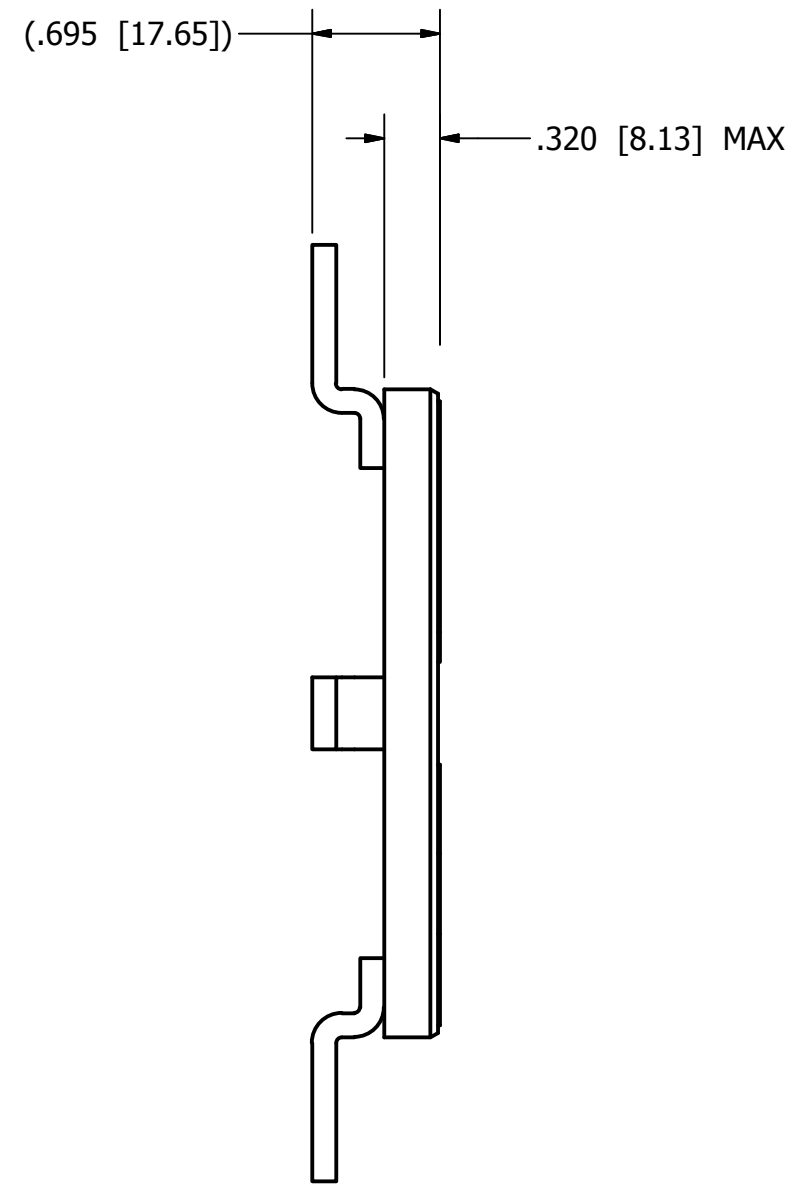


Not Drawn to Scale



Bracket Shown on Drawing



A-97000-18

Mtg Bolt Circle: $\text{Ø}3.650$ -- $\text{Ø}4.450$
[$\text{Ø}92.71$] [$\text{Ø}113.03$]



A-97000-22
(Reversible)

Mtg Bolt Circle: $\text{Ø}4.950$ (normal) -- $\text{Ø}6.625$
[$\text{Ø}125.73$] [$\text{Ø}168.28$]

Mtg Bolt Circle: $\text{Ø}5.825$ (reversed) -- $\text{Ø}6.625$
[$\text{Ø}147.96$] [$\text{Ø}168.28$]



A-97000-23
(Reversible)

Mtg Bolt Circle: $\text{Ø}4.950$ (normal) -- $\text{Ø}6.625$
[$\text{Ø}125.73$] [$\text{Ø}168.28$]

Mtg Bolt Circle: $\text{Ø}5.825$ (reversed) -- $\text{Ø}6.625$
[$\text{Ø}147.96$] [$\text{Ø}168.28$]



A-97000-20

Mtg Bolt Circle: $\text{Ø}3.700$ -- $\text{Ø}5.575$
[$\text{Ø}93.98$] [$\text{Ø}141.61$]

Notes:

- AEGIS SGR-1.875-UKIT-1A4 Includes
- (1) AEGIS SGR Bearing Protection Ring
 - (4) Universal brackets Of Each size (16 total)
 - (4) 5-40 x 3/8 Flat Head Cap Screws
 - (4) 6-32 x 3/8 Socket Head Cap Screws
 - (4) #6 Flat Washers
 - (4) #6 Split Lock Washers
 - 5/64" Allen Wrench
 - 7/64" Allen Wrench

Patented Technology US Patent 8,199,453; 8,169,766; 7,193,836

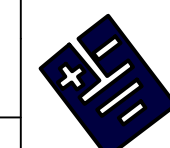
THEREIN, ARE THE EXCLUSIVE PROPERTY OF ELECTRO STATIC TECHNOLOGY ISSUED IN STRICT CONFIDENCE AND SHALL NOT WITHOUT CONSENT, BE REPRODUCED, COPIED OR USED FOR ANY PURPOSE WHATSOEVER, EXCEPT BUSINESS WITH E.S.T.

UNLESS OTHERWISE SPECIFIED
DIMENSIONS ARE IN:
inch [mm]

UNTOLERANCED DIMENSIONS
 $\pm .020$ [0.5mm]

DATE: 5/2/2017

ENGINEER: A. Gen



ELECTRO STATIC TECHNOLOGY
AN ITW COMPANY

31 WINTERBROOK ROAD, MECHANIC FALLS, MAINE 04256
PHONE (207)998-5140 FAX (207)998-5143

To Suit 1.875" Shaft Diameter

PART NUMBER: SGR-1.875-UKIT-1A4

REV A